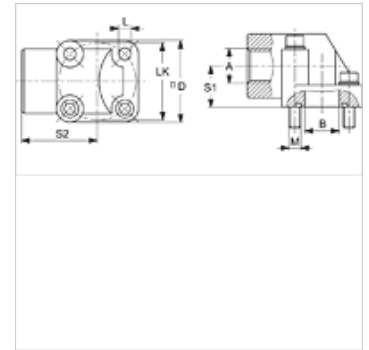


WVA AL

Pump connection (4 hole), aluminium, angle 90°

Properties

Design	Pump connection (4 hole)
Construction	Angle 90°
Mounting	with metric screw set
Scope of supply	with metric screw set and O-ring
Material	Aluminium



Note

The stated maximum working pressure relates to the flange. The actual working pressure is determined by the pipe (wall thickness) and the quality of the pipe.

Item

Identification	Pressure PB (bar)	A	B (mm)	LK (mm)	S1 (mm)	S2 (mm)	L (mm)	Screws 1	Screws 2	OR
WVA 100 55	120	G 1" -11	25,0	55	29	54,0	8,5	(2x) M 8 x 45	(2x) M 8 x 60	29.74 x 3.53
WVA 12 30	180	G 1/2" -14	11,5	30	18	40,0	6,5	(2x) M 6 x 30	(2x) M 6 x 45	15.88 x 2.62
WVA 12 35	180	G 1/2" -14	14,0	35	18	42,5	6,5	(2x) M 6 x 30	(2x) M 6 x 45	18.72 x 2.62
WVA 12 40	180	G 1/2" -14	17,0	40	24	47,5	6,5	(2x) M 6 x 35	(2x) M 6 x 55	22.22 x 2.62
WVA 34 40	180	G 3/4" -14	17,0	40	24	47,5	6,5	(2x) M 6 x 35	(2x) M 6 x 55	22.22 x 2.62
WVA 34 55	180	G 3/4" -14	25,0	55	29	54,0	8,5	(2x) M 8 x 45	(2x) M 8 x 60	29.74 x 3.53
WVA 38 30	180	G 3/8" -19	11,5	30	18	40,0	6,5	(2x) M 6 x 30	(2x) M 6 x 45	15.88 x 2.62
WVA 38 35	180	G 3/8" -19	14,0	35	18	42,5	6,5	(2x) M 6 x 30	(2x) M 6 x 45	18.72 x 2.62

PN = Nominal pressure PB = Max. operating pressure