

# BZL / BZS

## Lock without union nut

### Properties

**Sealing form 1** 24° outer cone with O-ring

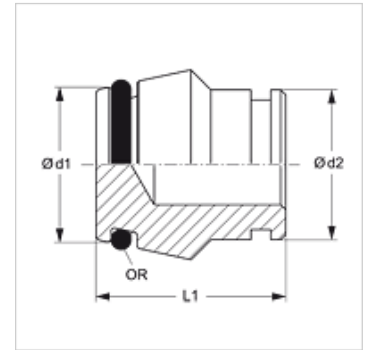
**Design** Lock without union nut

**Construction** straight

**Standard** DIN 2353  
ISO 8434-1

**Material** Steel

**Surface** electro galvanised



### Note

Information about fitting, installation, pressure loads and permissible operating temperatures can be found in the technical information for pipe fittings.

### Item

Identification	Series	Operating pressure	Ø d1 (mm)	Ø d2 (mm)	L1 (mm)	OR
BZL NW 04	L	PN 315	6,6	6	18,5	4.0 x 1.5
BZL NW 06	L	PN 315	8,5	8	18,0	6.0 x 1.5
BZL NW 08	L	PN 315	10,6	10	19,5	7.5 x 1.5
BZL NW 10	L	PN 315	12,6	12	19,0	9.0 x 1.5
BZL NW 13	L	PN 315	15,5	15	19,0	12.0 x 2.0
BZL NW 16	L	PN 315	18,6	18	22,0	15.0 x 2.0
BZL NW 20	L	PN 160	22,6	22	22,0	20.0 x 2.0
BZL NW 25	L	PN 160	28,5	28	23,5	26.0 x 2.0
BZL NW 32	L	PN 160	36,0	35	27,0	32.0 x 2.5
BZL NW 40	L	PN 160	43,0	42	27,5	38.0 x 2.5
BZS NW 10	S	PN 630	14,5	14	21,0	10.0 x 2.0
BZS NW 13	S	PN 400	16,5	16	22,0	12.0 x 2.0
BZS NW 16	S	PN 400	20,9	20	26,5	16.3 x 2.4
BZS NW 20	S	PN 400	25,9	25	27,5	20.3 x 2.4
BZS NW 25	S	PN 400	31,0	30	28,5	25.3 x 2.4
BZS NW 32	S	PN 315	39,0	38	32,5	33.3 x 2.4

Series: LL = Very light L = Light S = Heavy – PN = Nominal pressure PB = Max. operating pressure – Ø = External pipe diameter

### Product versions

**BZL / BZS MG** Lock without union nut, Brass

**BZL VA / BZS VA** Lock without union nut, Stainless steel