

BZL / BZS MG

Lock without union nut

HANSA FLEX

Properties

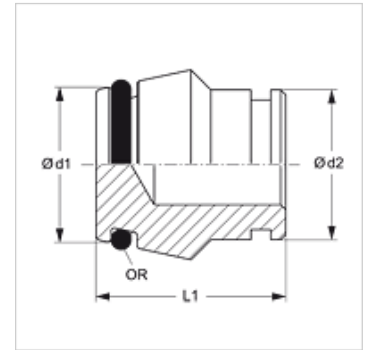
Sealing form 1 24° outer cone with O-ring

Design Lock without union nut

Construction straight

Standard DIN 2353
ISO 8434-1

Material Brass



Note

Information about fitting, installation, pressure loads and permissible operating temperatures can be found in the technical information for pipe fittings.

Item

Identification	Series	Operating pressure	Ø d1 (mm)	Ø d2 (mm)	L1 (mm)	OR
BZL NW 04 MG	L	PN 200	6,6	6	18,5	4.0 x 1.5
BZL NW 06 MG	L	PN 200	8,5	8	18,0	6.0 x 1.5
BZL NW 08 MG	L	PN 200	10,6	10	19,5	7.5 x 1.5
BZL NW 10 MG	L	PN 200	12,6	12	19,0	9.0 x 1.5
BZL NW 13 MG	L	PN 200	15,5	15	19,0	12.0 x 2.0
BZL NW 16 MG	L	PN 200	18,6	18	22,0	15.0 x 2.0
BZL NW 20 MG	L	PN 100	22,6	22	22,0	20.0 x 2.0
BZL NW 25 MG	L	PN 100	28,5	28	23,5	26.0 x 2.0
BZS NW 10 MG	S	PN 400	14,5	14	21,0	10.0 x 2.0
BZS NW 13 MG	S	PN 250	16,5	16	22,0	12.0 x 2.0
BZS NW 16 MG	S	PN 250	20,9	20	26,5	16.3 x 2.4
BZS NW 20 MG	S	PN 250	25,9	25	27,5	20.3 x 2.4

Series: LL = Very light L = Light S = Heavy – PN = Nominal pressure PB = Max. operating pressure – Ø = External pipe diameter

Product versions

BZL / BZS Lock without union nut, Steel

BZL VA / BZS VA Lock without union nut, Stainless steel