

BZL VA / BZS VA

Lock without union nut

HANSA FLEX

Properties

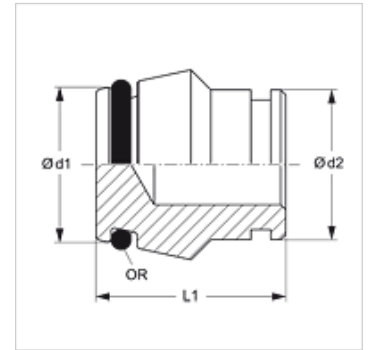
Sealing form 1 24° outer cone with O-ring

Design Lock without union nut

Construction straight

Standard DIN 2353
ISO 8434-1

Material Stainless steel



Note

Information about fitting, installation, pressure loads and permissible operating temperatures can be found in the technical information for pipe fittings.

Item

Identification	Series	Operating pressure	Ø d1 (mm)	Ø d2 (mm)	L1 (mm)	OR
BZL NW 04 VA	L	PN 315	6,6	6	18,5	4.0 x 1.5
BZL NW 06 VA	L	PN 315	8,5	8	18,0	6.0 x 1.5
BZL NW 08 VA	L	PN 315	10,6	10	19,5	7.5 x 1.5
BZL NW 10 VA	L	PN 315	12,6	12	19,0	9.0 x 1.5
BZL NW 13 VA	L	PN 315	15,5	15	19,0	12.0 x 2.0
BZL NW 16 VA	L	PN 315	18,6	18	22,0	15.0 x 2.0
BZL NW 20 VA	L	PN 160	22,6	22	22,0	20.0 x 2.0
BZL NW 25 VA	L	PN 160	28,5	28	23,5	26.0 x 2.0
BZL NW 32 VA	L	PN 160	36,0	35	27,0	32.0 x 2.5
BZL NW 40 VA	L	PN 160	43,0	42	27,5	38.0 x 2.5
BZS NW 03 VA	S	PN 630	-	6	18,5	4.0 x 1.5
BZS NW 04 VA	S	PN 630	-	8	18,5	6.0 x 1.5
BZS NW 06 VA	S	PN 630	-	10	20,0	7.5 x 1.5
BZS NW 08 VA	S	PN 630	-	12	20,5	9.0 x 1.5
BZS NW 10 VA	S	PN 630	14,5	14	21,0	10.0 x 2.0
BZS NW 13 VA	S	PN 400	16,5	16	22,0	12.0 x 2.0
BZS NW 16 VA	S	PN 400	20,9	20	26,5	16.0 x 2.5
BZS NW 20 VA	S	PN 400	25,9	25	27,5	20.0 x 2.5
BZS NW 25 VA	S	PN 400	31,0	30	28,5	25.0 x 2.5
BZS NW 32 VA	S	PN 315	39,0	38	32,5	33.0 x 2.5

Series: LL = Very light L = Light S = Heavy - PN = Nominal pressure PB = Max. operating pressure - Ø = External pipe diameter

Product versions

BZL / BZS Lock without union nut, Steel

BZL / BZS MG Lock without union nut, Brass