

FHM 90

Blanking screw with hexagon socket

HANSA FLEX

Properties

Connection 1 metric cylindrical outer thread

Sealing form 1 Shape A

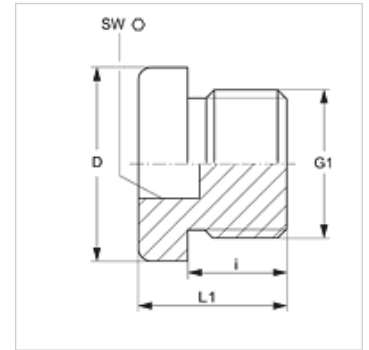
Design Blanking screw with hexagon socket

Construction straight

Standard DIN 908

Material Steel

Surface electro galvanised



Item

Identification	G1	D (mm)	i (mm)	L1 (mm)	AF (mm)
FHM 90-10	M 10 x 1	14	8	11	5
FHM 90-12	M 12 x 1.5	17	12	15	6
FHM 90-14	M 14 x 1.5	19	12	15	6
FHM 90-16	M 16 x 1.5	21	12	15	8
FHM 90-18	M 18 x 1.5	23	12	16	8
FHM 90-20	M 20 x 1.5	25	14	18	10
FHM 90-22	M 22 x 1.5	27	14	18	10
FHM 90-24	M 24 x 1.5	29	14	18	12
FHM 90-26	M 26 x 1.5	31	16	20	12
FHM 90-30-1.5	M 30 x 1.5	36	16	20	17
FHM 90-36-1.5	M 36 x 1.5	42	16	21	19
FHM 90-42-1.5	M 42 x 1.5	49	16	21	22
FHM 90-48-1.5	M 48 x 1.5	55	16	21	24
FHM 90-52-1.5	M 52 x 1.5	60	16	21	24

PN = Nominal pressure PB = Max. operating pressure