

FHR 91

Blanking screw with hexagon head

Properties

Connection 1 BSP external thread, cylindrical

Sealing form 1 Shape A

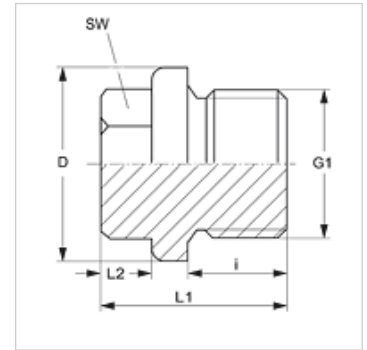
Design Blanking screw, with hexagon head

Construction straight

Standard DIN 910

Material Steel

Surface electro galvanised



Item

Identification	G1	i (mm)	D (mm)	L1 (mm)	L2 (mm)	AF (mm)
FHR 91-1/8	G 1/8" -28	8	14	17	6	10
FHR 91-1/4	G 1/4" -19	12	18	21	6	13
FHR 91-3/8	G 3/8" -19	12	22	21	6	17
FHR 91-1/2	G 1/2" -14	14	26	26	8	19
FHR 91-5/8	G 5/8" -14	14	28	26	8	19
FHR 91-3/4	G 3/4" -14	16	32	30	10	24
FHR 91-1	G 1" -11	16	39	32	11	27
FHR 91-1 1/4	G 1.1/4" -11	16	49	33	12	30
FHR 91-1 1/2	G 1.1/2" -11	16	55	33	12	30