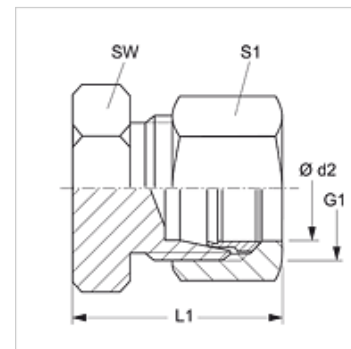


Properties

Connection 1	metric cylindrical outer thread
Sealing form 1	24° inner cone
Design	Blanking socket
Construction	straight
Standard	DIN 2353 ISO 8434-1
Scope of supply	Socket with union nut and cutting ring
Material	Steel
Surface	electro galvanised



Note

Information about fitting, installation, pressure loads and permissible operating temperatures can be found in the technical information for pipe fittings.

Item

Identification	Series	Operating pressure	Ø d2 (mm)	G1	L1 (mm)	AF (mm)	S1
VHLL 04	LL	PN 100	4	M 8 x 1	19	9	10
VHLL 05	LL	PN 100	5	M 10 x 1	19	11	10
VHLL 06	LL	PN 100	6	M 10 x 1	19	11	12
VHLL 08	LL	PN 100	8	M 12 x 1	21	12	14
VHL NW 04	L	PN 315	6	M 12 x 1.5	22	12	14
VHL NW 06	L	PN 315	8	M 14 x 1.5	23	14	17
VHL NW 08	L	PN 315	10	M 16 x 1.5	24	17	19
VHL NW 10	L	PN 315	12	M 18 x 1.5	25	19	22
VHL NW 13	L	PN 400	15	M 22 x 1.5	26	27	32
VHL NW 16	L	PN 315	18	M 26 x 1.5	28	27	32
VHL NW 20	L	PN 160	22	M 30 x 2	30	32	36
VHL NW 25	L	PN 160	28	M 36 x 2	31	41	41
VHL NW 32	L	PN 160	35	M 45 x 2	36	46	50
VHL NW 40	L	PN 160	42	M 52 x 2	39	55	60
VHS NW 03	S	PN 630	6	M 14 x 1.5	26	14	17
VHS NW 04	S	PN 630	8	M 16 x 1.5	28	17	19
VHS NW 06	S	PN 630	10	M 18 x 1.5	29	19	22
VHS NW 08	S	PN 630	12	M 20 x 1.5	31	22	24
VHS NW 10	S	PN 630	14	M 22 x 1.5	33	24	27
VHS NW 13	S	PN 400	16	M 24 x 1.5	34	27	30
VHS NW 16	S	PN 400	20	M 30 x 2	39	32	36
VHS NW 20	S	PN 400	25	M 36 x 2	44	41	46
VHS NW 25	S	PN 400	30	M 42 x 2	47	46	50
VHS NW 32	S	PN 315	38	M 52 x 2	54	55	60

Series: LL = Very light L = Light S = Heavy - PN = Nominal pressure PB = Max. operating pressure - Ø d2 = External pipe diameter

Product versions

VHL VA / VHS VA

XVHLL / XVHL / XVHS