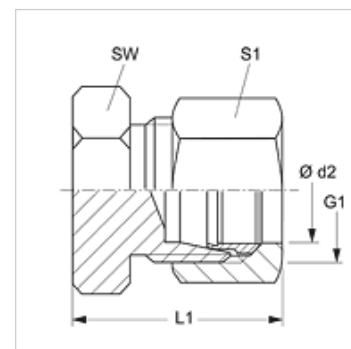


VHL VA / VHS VA

Blanking socket

Properties

Connection 1	metric cylindrical outer thread
Sealing form 1	24° inner cone
Design	Blanking socket
Construction	straight
Standard	DIN 2353 ISO 8434-1
Scope of supply	Socket with union nut and cutting ring
Material	Stainless steel



Note

Information about fitting, installation, pressure loads and permissible operating temperatures can be found in the technical information for pipe fittings.

Item

Identification	Series	Operating pressure	Ø d2 (mm)	G1	L1 (mm)	AF (mm)	S1
VHL NW 04 VA	L	PN 315	6	M 12 x 1.5	22	12	14
VHL NW 06 VA	L	PN 315	8	M 14 x 1.5	23	14	17
VHL NW 08 VA	L	PN 315	10	M 16 x 1.5	24	17	19
VHL NW 10 VA	L	PN 315	12	M 18 x 1.5	25	19	22
VHL NW 13 VA	L	PN 400	15	M 22 x 1.5	26	27	32
VHL NW 16 VA	L	PN 315	18	M 26 x 1.5	28	27	32
VHL NW 20 VA	L	PN 160	22	M 30 x 2	30	32	36
VHL NW 25 VA	L	PN 160	28	M 36 x 2	31	41	41
VHL NW 32 VA	L	PN 160	35	M 45 x 2	36	46	50
VHL NW 40 VA	L	PN 160	42	M 52 x 2	39	55	60
VHS NW 03 VA	S	PN 630	6	M 14 x 1.5	26	14	17
VHS NW 04 VA	S	PN 630	8	M 16 x 1.5	28	17	19
VHS NW 06 VA	S	PN 630	10	M 18 x 1.5	29	19	22
VHS NW 08 VA	S	PN 630	12	M 20 x 1.5	31	22	24
VHS NW 10 VA	S	PN 630	14	M 22 x 1.5	33	24	27
VHS NW 13 VA	S	PN 400	16	M 24 x 1.5	34	27	30
VHS NW 16 VA	S	PN 400	20	M 30 x 2	39	32	36
VHS NW 20 VA	S	PN 400	25	M 36 x 2	44	41	46
VHS NW 25 VA	S	PN 400	30	M 42 x 2	47	46	50
VHS NW 32 VA	S	PN 315	38	M 52 x 2	54	55	60

Series: LL = Very light L = Light S = Heavy – PN = Nominal pressure PB = Max. operating pressure – Ø d2 = External pipe diameter

Product versions

VHLL / VHL / VHS	Blanking socket, Steel
XVHL VA / XVHS VA	Blanking socket, Stainless steel