

# VHM 90 VA

Blanking screw with hexagon socket

**HANSA FLEX**

## Properties

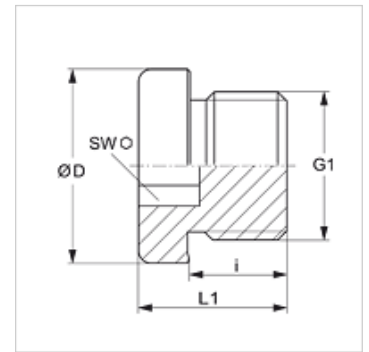
**Connection 1** metric cylindrical outer thread

**Sealing form 1** Shape B

**Design** Blanking screw with hexagon socket

**Construction** straight

**Material** Stainless steel



## Item

Identification	G1	Ø D (mm)	i (mm)	L1 (mm)	AF (mm)
VHM 90-10 VA	M 10 x 1	14	8	12,0	5
VHM 90-12 VA	M 12 x 1.5	17	12	17,0	6
VHM 90-14 VA	M 14 x 1.5	19	12	17,0	6
VHM 90-16 VA	M 16 x 1.5	21	12	17,5	8
VHM 90-18 VA	M 18 x 1.5	23	12	17,0	8
VHM 90-20 VA	M 20 x 1.5	25	14	19,0	10
VHM 90-22 VA	M 22 x 1.5	27	14	19,0	10
VHM 90-26 VA	M 26 x 1.5	31	16	21,0	12
VHM 90-27 VA	M 27 x 2	32	16	21,0	12
VHM 90-33 VA	M 33 x 2	36	16	22,5	17
VHM 90-42 VA	M 42 x 2	49	16	22,5	22
VHM 90-48 VA	M 48 x 2	55	16	22,5	24

PN = Nominal pressure PB = Max. operating pressure