

# VHM 90 ED

Blanking screw with hexagon socket

**HANSA FLEX**

## Properties

**Connection 1** metric cylindrical outer thread

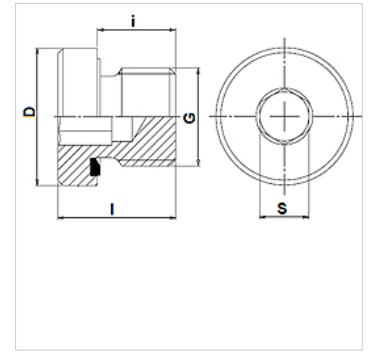
**Sealing form 1** Shape E

**Design** Blanking screw with hexagon socket

**Construction** straight

**Material** Steel

**Surface** electro galvanised



## Note

Also available without seal as FHM.

## Item

Identification	Operating pressure	G	D (mm)	i (mm)	l (mm)	S (mm)
VHM 90-08 ED	PN 400	M 8 x 1	12,0	8	12,0	4
VHM 90-10 ED	PN 400	M 10 x 1	14,0	8	12,0	5
VHM 90-12 ED	PN 400	M 12 x 1.5	17,0	12	17,0	6
VHM 90-14 ED	PN 400	M 14 x 1.5	19,0	12	17,0	6
VHM 90-16 ED	PN 400	M 16 x 1.5	22,0	12	17,0	8
VHM 90-18 ED	PN 400	M 18 x 1.5	24,0	12	17,0	8
VHM 90-20 ED	PN 400	M 20 x 1.5	26,0	14	19,0	10
VHM 90-22 ED	PN 400	M 22 x 1.5	27,0	14	19,0	10
VHM 90-24ED	PN 400	M 24 x 1.5	29,9	14	19,0	12
VHM 90-26 ED	PN 400	M 26 x 1.5	32,0	16	21,0	12
VHM 90-27 ED	PN 400	M 27 x 2	32,0	16	21,0	12
VHM 90-33 ED	PN 400	M 33 x 2	40,0	16	22,5	17
VHM 90-42 ED	PN 315	M 42 x 2	50,0	16	22,5	22
VHM 90-48 ED	PN 315	M 48 x 2	55,0	16	22,5	24

PN = Nominal pressure PB = Max. operating pressure

## Product versions

VHM 90 ED VA Blanking screw with hexagon socket, Stainless steel

## Spare parts

WD Soft seal for ED fittings