

VHM 90 ED VA

Blanking screw with hexagon socket

HANSA FLEX

Properties

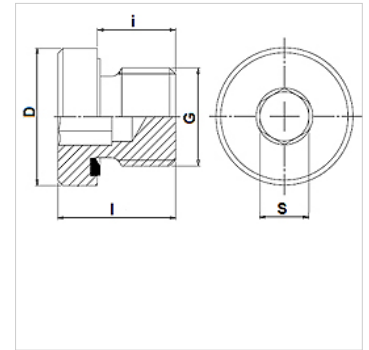
Connection 1 metric cylindrical outer thread

Sealing form 1 Shape E

Design Blanking screw with hexagon socket

Construction straight

Material Stainless steel



Ordering information

Seals of NBR

FPM (Viton) on request

Item

Identification	Operating pressure	G	D (mm)	i (mm)	l (mm)	S (mm)
VHM 90-10 ED VA	PN 400	M 10 x 1	14,0	8	12,0	5
VHM 90-12 ED VA	PN 400	M 12 x 1.5	17,0	12	16,0	6
VHM 90-14 ED VA	PN 400	M 14 x 1.5	19,0	12	16,0	6
VHM 90-16 ED VA	PN 400	M 16 x 1.5	22,0	12	16,0	8
VHM 90-18 ED VA	PN 400	M 18 x 1.5	24,0	12	17,0	8
VHM 90-20 ED VA	PN 400	M 20 x 1.5	26,0	14	19,0	10
VHM 90-22 ED VA	PN 400	M 22 x 1.5	27,0	14	19,0	10
VHM 90-26 ED VA	PN 400	M 26 x 1.5	32,0	16	21,0	12
VHM 90-27 ED VA	PN 400	M 27 x 2	32,0	16	21,0	12
VHM 90-33 ED VA	PN 400	M 33 x 2	40,0	16	22,5	17
VHM 90-42 ED VA	PN 315	M 42 x 2	50,0	16	22,5	22
VHM 90-48 ED VA	PN 315	M 48 x 2	55,0	16	22,5	24

PN = Nominal pressure PB = Max. operating pressure

Product versions

VHM 90 ED Blanking screw with hexagon socket, Steel

Spare parts

WD V Soft seal for ED fittings