

VHMO 90

Blanking screw with hexagon socket

Properties

Connection 1 metric cylindrical outer thread

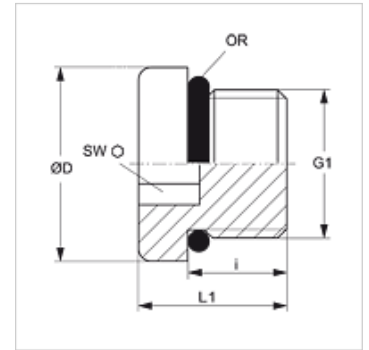
Sealing form 1 Shape F

Design Blanking screw with hexagon socket

Construction straight

Material Steel

Surface electro galvanised



Item

Identification	Operating pressure	G1	Ø D (mm)	i (mm)	L1 (mm)	AF (mm)	OR
VHMO 90-08	PN 630	M 8 x 1	12	9,5	13,0	4	6.1 x 1.6
VHMO 90-10	PN 630	M 10 x 1	13	9,5	13,5	5	8.1 x 1.6
VHMO 90-12	PN 630	M 12 x 1.5	17	11,0	16,0	6	9.3 x 2.2
VHMO 90-14	PN 630	M 14 x 1.5	19	11,0	16,0	6	11.3 x 2.2
VHMO 90-16	PN 630	M 16 x 1.5	21	12,5	17,5	8	13.3 x 2.2
VHMO 90-18	PN 630	M 18 x 1.5	23	14,0	19,0	8	15.3 x 2.2
VHMO 90-20	PN 630	M 20 x 1.5	26	14,0	19,0	10	17.3 x 2.2
VHMO 90-22	PN 630	M 22 x 1.5	27	15,0	20,0	10	19.3 x 2.2
VHMO 90-27	PN 400	M 27 x 2	32	18,5	23,5	12	23.6 x 2.9
VHMO 90-33	PN 400	M 33 x 2	38	18,5	25,0	17	29.6 x 2.9
VHMO 90-42	PN 400	M 42 x 2	48	19,0	25,5	22	38.6 x 2.9
VHMO 90-48	PN 400	M 48 x 2	55	21,5	28,0	24	44.6 x 2.9

PN = Nominal pressure PB = Max. operating pressure