

# VHR 90 ED

Blanking screw with hexagon socket

**HANSA FLEX**

## Properties

**Connection 1** BSP external thread, cylindrical

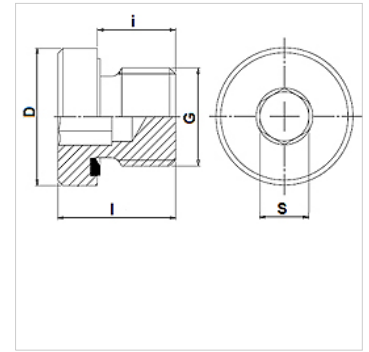
**Sealing form 1** Shape E

**Design** Blanking screw with hexagon socket

**Construction** straight

**Material** Steel

**Surface** electro galvanised



## Note

Also available without seal as FHR.

## Item

Identification	Operating pressure	G	D (mm)	i (mm)	l (mm)	S (mm)
VHR 90-1/8 ED	PN 400	G 1/8" -28	14	8	12,0	5
VHR 90-1/4 ED	PN 400	G 1/4" -19	19	12	17,0	6
VHR 90-3/8 ED	PN 400	G 3/8" -19	22	12	17,0	8
VHR 90-1/2 ED	PN 400	G 1/2" -14	27	14	19,0	10
VHR 90-3/4 ED	PN 400	G 3/4" -14	32	16	21,0	12
VHR 90-1 ED	PN 400	G 1" -11	40	16	22,5	17
VHR 90-1 1/4 ED	PN 315	G 1.1/4" -11	50	16	22,5	22
VHR 90-1 1/2 ED	PN 315	G 1.1/2" -11	55	16	22,5	24
VHR 90-2 ED	PN 315	G 2" -11	72	24	34,5	32

PN = Nominal pressure PB = Max. operating pressure

## Product versions

VHR 90 ED VA Blanking screw with hexagon socket, Stainless steel

## Spare parts

WD Soft seal for ED fittings