

VHR 90 ED VA

Blanking screw with hexagon socket

HANSA FLEX

Properties

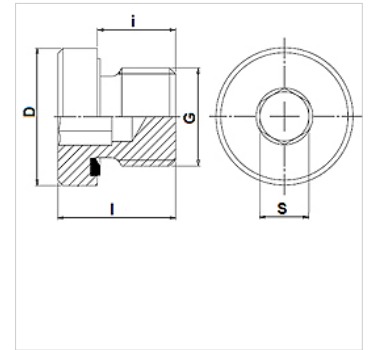
Connection 1 BSP external thread, cylindrical

Sealing form 1 Shape E

Design Blanking screw with hexagon socket

Construction straight

Material Stainless steel



Ordering information

Seals of NBR

FPM (Viton) on request

Item

Identification	Operating pressure	G	D (mm)	i (mm)	l (mm)	S (mm)
VHR 90-1/8 ED VA	PN 400	G 1/8" -28	14	8	12,0	5
VHR 90-1/4 ED VA	PN 400	G 1/4" -19	19	12	17,0	6
VHR 90-3/8 ED VA	PN 400	G 3/8" -19	22	12	17,0	8
VHR 90-1/2 ED VA	PN 400	G 1/2" -14	27	14	19,0	10
VHR 90-3/4 ED VA	PN 400	G 3/4" -14	32	16	21,0	12
VHR 90-1 ED VA	PN 400	G 1" -11	40	16	22,5	17
VHR 90-1 1/4 ED VA	PN 315	G 1.1/4" -11	50	16	22,5	22
VHR 90-1 1/2 ED VA	PN 315	G 1.1/2" -11	55	16	22,5	24

PN = Nominal pressure PB = Max. operating pressure

Product versions

VHR 90 ED Blanking screw with hexagon socket, Steel

Spare parts

WD V Soft seal for ED fittings