

VHRK 90 VA

Blanking screw with hexagon head

Properties

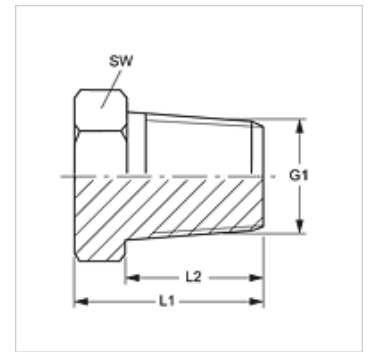
Connection 1 BSPT conical external threads

Sealing form 1 thread seal

Design Blanking screw, with hexagon head

Construction straight

Material Stainless steel



Item

Identification	G1	L1 (mm)	L2 (mm)	AF (mm)
VHRK 90-1/8 VA	R 1/8" K	14	8	12
VHRK 90-1/4 VA	R 1/4" K	18	12	14
VHRK 90-3/8 VA	R 3/8" K	19	12	17
VHRK 90-1/2 VA	R 1/2" K	27	19	22
VHRK 90-3/4 VA	R 3/4" K	29	19	27
VHRK 90-1 VA	R 1" K	29	18	36
VHRK 90-1 1/4 VA	R 1.1/4" K	32	20	46
VHRK 90-1 1/2 VA	R 1.1/2" K	36	22	50
VHRK 90-2 VA	R 2" K	40	26	65