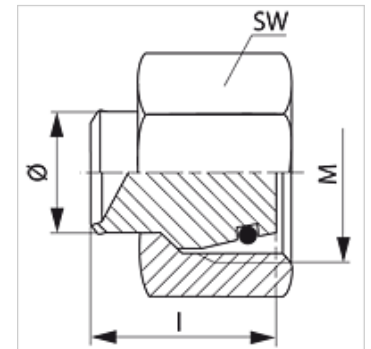
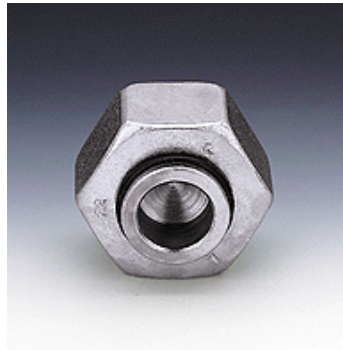


VLM VA / VSM VA

Blanking nut

Properties

Connection 1	metric nut thread
Sealing form 1	24° outer cone with O-ring
Design	Blanking nut
Construction	straight
Standard	DIN 2353 ISO 8434-1
Material	Stainless steel



Note

Information about fitting, installation, pressure loads and permissible operating temperatures can be found in the technical information for pipe fittings.

Item

Identification	Series	Operating pressure	External pipe Ø (mm)	M	l (mm)	AF (mm)	OR
VLM NW 04 VA	L	PN 400	6	M 12 x 1.5	18,5	14	4.0 x 1.5
VLM NW 06 VA	L	PN 400	8	M 14 x 1.5	18,0	17	6.0 x 1.5
VLM NW 08 VA	L	PN 400	10	M 16 x 1.5	19,5	19	7.5 x 1.5
VLM NW 10 VA	L	PN 400	12	M 18 x 1.5	19,0	22	9.0 x 1.5
VLM NW 13 VA	L	PN 400	15	M 22 x 1.5	19,0	27	12.0 x 2.0
VLM NW 16 VA	L	PN 315	18	M 26 x 1.5	22,0	32	15.0 x 2.0
VLM NW 20 VA	L	PN 315	22	M 30 x 2	22,0	36	20.0 x 2.0
VLM NW 25 VA	L	PN 250	28	M 36 x 2	23,5	41	26.0 x 2.0
VLM NW 32 VA	L	PN 250	35	M 45 x 2	27,0	50	32.0 x 2.5
VLM NW 40 VA	L	PN 250	42	M 52 x 2	27,5	60	38.0 x 2.5
VSM NW 03 VA	S	PN 630	6	M 14 x 1.5	18,5	17	4.0 x 1.5
VSM NW 04 VA	S	PN 630	8	M 16 x 1.5	18,0	19	6.0 x 1.5
VSM NW 06 VA	S	PN 630	10	M 18 x 1.5	19,5	22	7.5 x 1.5
VSM NW 08 VA	S	PN 630	12	M 20 x 1.5	19,0	24	9.0 x 1.5
VSM NW 10 VA	S	PN 630	14	M 22 x 1.5	21,0	27	10.0 x 2.0
VSM NW 13 VA	S	PN 400	16	M 24 x 1.5	22,0	30	12.0 x 2.0
VSM NW 16 VA	S	PN 400	20	M 30 x 2	26,5	36	16.0 x 2.5
VSM NW 20 VA	S	PN 400	25	M 36 x 2	27,5	46	20.0 x 2.5
VSM NW 25 VA	S	PN 400	30	M 42 x 2	28,5	50	25.0 x 2.5
VSM NW 32 VA	S	PN 315	38	M 52 x 2	32,5	60	33.3 x 2.4

PN = Nominal pressure PB = Max. operating pressure - Series: LL = Very light L = Light S = Heavy - Ø = External pipe diameter

Product versions

VLM / VSM