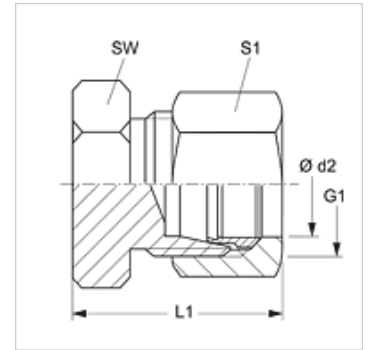


XVHL VA / XVHS VA

Blanking socket

Properties

Connection 1	metric cylindrical outer thread
Sealing form 1	24° inner cone
Design	Blanking socket
Construction	straight
Standard	DIN 2353 ISO 8434-1
Scope of supply	Socket (without union nut and cutting ring)
Material	Stainless steel



Note

Information about fitting, installation, pressure loads and permissible operating temperatures can be found in the technical information for pipe fittings.

Item

Identification	Series	Operating pressure	Ø d2 (mm)	G1	L1 (mm)	AF (mm)	S1
XVHL NW 04 VA	L	PN 315	6	M 12 x 1.5	22	12	14
XVHL NW 06 VA	L	PN 315	8	M 14 x 1.5	23	14	17
XVHL NW 08 VA	L	PN 315	10	M 16 x 1.5	24	17	19
XVHL NW 10 VA	L	PN 315	12	M 18 x 1.5	25	19	22
XVHL NW 13 VA	L	PN 315	15	M 22 x 1.5	26	24	27
XVHL NW 16 VA	L	PN 315	18	M 26 x 1.5	28	27	32
XVHL NW 20 VA	L	PN 160	22	M 30 x 2	30	32	36
XVHL NW 25 VA	L	PN 160	28	M 36 x 2	31	41	41
XVHL NW 32 VA	L	PN 160	35	M 45 x 2	36	46	50
XVHL NW 40 VA	L	PN 160	42	M 52 x 2	39	55	60
XVHS NW 03 VA	S	PN 630	6	M 14 x 1.5	26	14	17
XVHS NW 04 VA	S	PN 630	8	M 16 x 1.5	28	17	19
XVHS NW 06 VA	S	PN 630	10	M 18 x 1.5	29	19	22
XVHS NW 08 VA	S	PN 630	12	M 20 x 1.5	31	22	24
XVHS NW 10 VA	S	PN 630	14	M 22 x 1.5	34	24	27
XVHS NW 13 VA	S	PN 400	16	M 24 x 1.5	34	27	30
XVHS NW 16 VA	S	PN 400	20	M 30 x 2	39	32	36
XVHS NW 20 VA	S	PN 400	25	M 36 x 2	44	41	46
XVHS NW 25 VA	S	PN 400	30	M 42 x 2	47	46	50
XVHS NW 32 VA	S	PN 315	38	M 52 x 2	54	55	60

Series: LL = Very light L = Light S = Heavy – PN = Nominal pressure PB = Max. operating pressure – Ø d2 = External pipe diameter

Product versions

XVHLL / XVHL / XVHS	Blanking socket, Steel
VHL VA / VHS VA	Blanking socket, Stainless steel