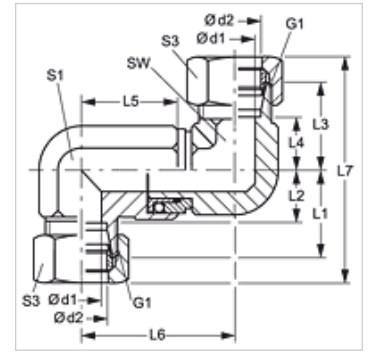


# DG D

Rotary fitting, 2x 90°, ball bearing

## Properties

<b>Connection 1</b>	metric cylindrical outer thread
<b>Sealing form 1</b>	24° inner cone
<b>Connection 2</b>	metric cylindrical outer thread
<b>Sealing form 2</b>	24° inner cone
<b>Design</b>	Rotary fitting
<b>Construction</b>	Double angle 90°
<b>Scope of supply</b>	Socket (without union nut and cutting ring)
<b>Material</b>	Steel
<b>Surface</b>	electro galvanised



## Note

Information about fitting, installation, pressure loads and permissible operating temperatures can be found in the technical information for pipe fittings.

## Item

Identification	Series	Operating pressure	Ø d1 (mm)	Ø d2 (mm)	G1	L1 (mm)	L2 (mm)	L3 (mm)	L4 (mm)	L5 (mm)	L6 (mm)	L7 (mm)	AF (mm)	S1	S3
DG D NW 08 HS	S	PN 250	9,5	12	M 20 x 1.5	29,0	21,5	34,0	26,5	39,5	53,0	81,0	24	22	24
DG D NW 13 HS	S	PN 250	9,5	16	M 24 x 1.5	33,0	24,5	34,0	25,5	39,5	53,0	87,0	24	22	30
DG D NW 16 HS	S	PN 250	16,0	20	M 30 x 2	37,0	26,5	50,0	39,5	56,5	76,0	109,0	32	36	36
DG D NW 20 HS	S	PN 250	16,0	25	M 36 x 2	42,0	30,0	50,0	38,0	56,5	76,0	116,0	32	36	46
DG D NW 25 HS	S	PN 250	26,0	30	M 42 x 2	49,0	35,5	58,0	44,5	65,0	92,5	133,0	50	50	50
DG D NW 32 HS	S	PN 250	26,0	38	M 52 x 2	57,0	41,0	58,0	42,0	65,0	92,5	145,0	50	50	60

Series: LL = Very light L = Light S = Heavy – PN = Nominal pressure PB = Max. operating pressure – Ø d2 = External pipe diameter