

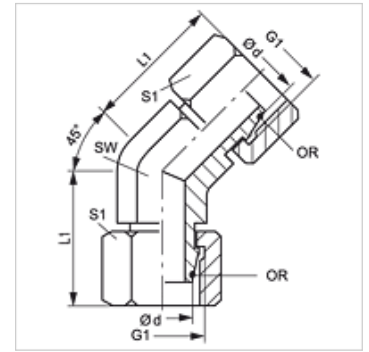
# DMO 45

Fitting, double nuts, angle 45°

**HANSA FLEX**

## Properties

<b>Connection 1 + 2</b>	metric nut thread
<b>Sealing form 1 + 2</b>	24° outer cone with O-ring
<b>Design</b>	Fitting, double nuts
<b>Construction</b>	Angle 45°
<b>Standard</b>	DIN 2353 ISO 8434-1
<b>Material</b>	Steel
<b>Surface</b>	electro galvanised



## Note

Information about fitting, installation, pressure loads and permissible operating temperatures can be found in the technical information for pipe fittings.

## Item

Identification	Series	Operating pressure	Ø d (mm)	G1	L1 (mm)	AF (mm)	S1	OR
<b>DMO 45 NW 04 L</b>	L	PN 400	6	M 12 x 1.5	22,5	14	14	4.0 x 1.5
<b>DMO 45 NW 06 L</b>	L	PN 400	8	M 14 x 1.5	23,0	14	17	6.0 x 1.5
<b>DMO 45 NW 08 L</b>	L	PN 400	10	M 16 x 1.5	25,0	19	19	7.5 x 1.5
<b>DMO 45 NW 10 L</b>	L	PN 400	12	M 18 x 1.5	25,5	19	22	9.0 x 1.5
<b>DMO 45 NW 13 L</b>	L	PN 400	15	M 22 x 1.5	27,0	22	27	12.0 x 2.0
<b>DMO 45 NW 16 L</b>	L	PN 315	18	M 26 x 1.5	30,0	27	32	15.0 x 2.0
<b>DMO 45 NW 20 L</b>	L	PN 315	22	M 30 x 2	32,0	30	36	20.0 x 2.0
<b>DMO 45 NW 25 L</b>	L	PN 250	28	M 36 x 2	35,0	36	41	26.0 x 2.0
<b>DMO 45 NW 32 L</b>	L	PN 250	35	M 45 x 2	39,5	50	50	32.0 x 2.5
<b>DMO 45 NW 40 L</b>	L	PN 250	42	M 52 x 2	42,0	50	60	38.0 x 2.5
<b>DMO 45 NW 03 S</b>	S	PN 630	6	M 14 x 1.5	23,5	14	17	4.0 x 1.5
<b>DMO 45 NW 04 S</b>	S	PN 630	8	M 16 x 1.5	26,5	19	19	6.0 x 1.5
<b>DMO 45 NW 06 S</b>	S	PN 630	10	M 18 x 1.5	27,0	19	22	7.5 x 1.5
<b>DMO 45 NW 08 S</b>	S	PN 630	12	M 20 x 1.5	27,5	19	24	9.0 x 1.5
<b>DMO 45 NW 13 S</b>	S	PN 400	16	M 24 x 1.5	31,5	27	30	12.0 x 2.0
<b>DMO 45 NW 16 S</b>	S	PN 400	20	M 30 x 2	36,0	30	36	16.3 x 2.4
<b>DMO 45 NW 20 S</b>	S	PN 400	25	M 36 x 2	40,5	36	46	20.3 x 2.4
<b>DMO 45 NW 25 S</b>	S	PN 400	30	M 42 x 2	44,5	50	50	25.3 x 2.4
<b>DMO 45 NW 32 S</b>	S	PN 315	38	M 52 x 2	50,5	50	60	33.3 x 2.4

Series: LL = Very light L = Light S = Heavy - PN = Nominal pressure PB = Max. operating pressure - Ø d = External pipe diameter