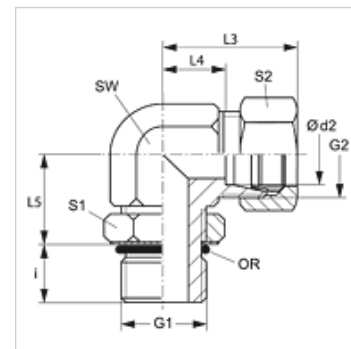


Properties

Connection 1	UN/UNF external threads
Sealing form 1	Shape F
Connection 2	metric cylindrical outer thread
Sealing form 2	24° inner cone
Design	Adjustable direction screw-in fitting
Construction	Angle 90°
Scope of supply	Socket with union nut and cutting ring
Material	Steel
Surface	electro galvanised



Note

Information about fitting, installation, pressure loads and permissible operating temperatures can be found in the technical information for pipe fittings.

Item

Identification	Series	Operating pressure	Ø d2 (mm)	G1	G2	i (mm)	L3 (mm)	L4 (mm)	L5 (mm)	AF (mm)	S1	S2	OR
EWO NW 04 HL 7/16	L	PN 315	6	7/16"-20 UNF	M 12 x 1.5	10	29	14	19	14	14	14	8.92 x 1.83
EWO NW 06 HL 7/16	L	PN 315	8	7/16"-20 UNF	M 14 x 1.5	10	31	16	19	14	14	17	8.92 x 1.83
EWO NW 06 HL 1/2	L	PN 315	8	1/2"-20 UNF	M 14 x 1.5	10	24	9	19	14	17	14	10.52 x 1.83
EWO NW 08 HL 9/16	L	PN 315	10	9/16"-18 UNF	M 18 x 1.5	10	32	17	24	19	17	19	11.90 x 1.98
EWO NW 10 HL 9/16	L	PN 315	12	9/16"-18 UNF	M 18 x 1.5	11	34	19	25	19	17	22	11.90 x 1.98
EWO NW 10 HL 3/4	L	PN 315	12	3/4"-16 UNF	M 18 x 1.5	13	34	19	25	19	22	22	16.36 x 2.20
EWO NW 13 HL 3/4	L	PN 315	15	3/4"-16 UNF	M 22 x 1.5	13	36	21	28	22	22	27	16.36 x 2.20
EWO NW 13 HL 7/8	L	PN 315	15	7/8" -14 UNF	M 22 x 1.5	15	36	21	28	22	27	27	19.18 x 2.46
EWO NW 16 HL 1 1/16	L	PN 315	18	1.1/16" -12 UN	M 26 x 1.5	17	40	24	32	30	32	32	23.47 x 2.95
EWO NW 16 HL 7/8	L	PN 315	18	7/8" -14 UNF	M 26 x 1.5	15	40	24	32	27	27	32	19.18 x 2.46
EWO NW 20 HL 1 1/16	L	PN 160	22	1.1/16" -12 UN	M 30 x 2	17	44	28	35	30	32	36	23.47 x 2.95
EWO NW 25 HL 1 5/16	L	PN 160	28	1.5/16" -12 UN	M 36 x 2	17	47	31	42	36	41	41	29.74 x 2.95
EWO NW 32 HL 1 5/8	L	PN 160	35	1.5/8" -12 UN	M 45 x 2	17	49	38	46	50	50	50	37.47 x 3.00
EWO NW 40 HL 1 7/8	L	PN 160	42	1.7/8" -12 UN	M 52 x 2	17	61	38	47	50	55	60	43.69 x 3.00
EWO NW 03 HS 7/16	S	PN 400	6	7/16"-20 UNF	M 14 x 1.5	12	30	15	20	14	14	17	8.92 x 1.83
EWO NW 04 HS 1/2	S	PN 400	8	1/2"-20 UNF	M 16 x 1.5	11	27	12	22	19	17	19	10.52 x 1.83
EWO NW 04 HS 9/16	S	PN 400	8	9/16"-18 UNF	M 16 x 1.5	12	32	17	25	19	17	19	11.90 x 1.98
EWO NW 06 HS 9/16	S	PN 400	10	9/16"-18 UNF	M 18 x 1.5	12	34	18	26	19	17	22	11.90 x 1.98
EWO NW 08 HS 3/4	S	PN 400	12	3/4"-16 UNF	M 20 x 1.5	14	38	22	30	22	22	24	16.36 x 2.20
EWO NW 13 HS 7/8	S	PN 400	16	7/8" -14 UNF	M 24 x 1.5	16	43	25	34	27	27	30	19.18 x 2.46
EWO NW 16 HS 1 1/16	S	PN 400	20	1.1/16" -12 UN	M 30 x 2	19	49	28	37	30	32	36	23.47 x 2.95
EWO NW 20 HS 1 1/16	S	PN 400	25	1.1/16" -12 UN	M 36 x 2	19	54	30	50	36	32	46	23.47 x 2.95
EWO NW 20 HS 1 5/16	S	PN 400	25	1.5/16" -12 UN	M 36 x 2	19	43	19	33	36	41	46	29.74 x 2.95
EWO NW 25 HS 1 5/8	S	PN 250	30	1.5/8" -12 UN	M 42 x 2	19	62	36	50	50	50	50	37.47 x 3.00
EWO NW 32 HS 1 7/8	S	PN 250	38	1.7/8" -12 UN	M 52 x 2	19	65	34	51	50	55	60	43.69 x 3.00

Product versions

XEWO	Screw-in fitting, angle 90°, Steel
-------------	------------------------------------