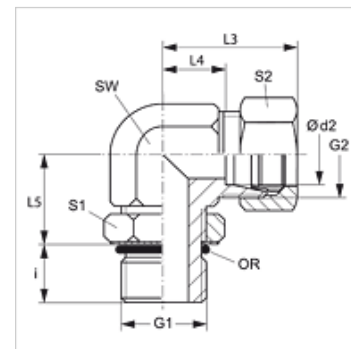


## Properties

<b>Connection 1</b>	metric cylindrical outer thread
<b>Sealing form 1</b>	Shape F
<b>Connection 2</b>	metric cylindrical outer thread
<b>Sealing form 2</b>	24° inner cone
<b>Design</b>	Adjustable direction screw-in fitting
<b>Construction</b>	Angle 90°
<b>Scope of supply</b>	Socket with union nut and cutting ring
<b>Material</b>	Steel
<b>Surface</b>	electro galvanised



## Note

Information about fitting, installation, pressure loads and permissible operating temperatures can be found in the technical information for pipe fittings.

## Item

Identification	Series	Operating pressure	Ø d2 (mm)	G1	G2	i (mm)	L3 (mm)	L4 (mm)	L5 (mm)	AF (mm)	S1	S2	OR
EWOM 04 LL	LL	PN 100	4	M 8 x 1	M 8 x 1	7,1	21	11,3	19,8	12	12	10	6.1 x 1.6
EWOM 04 LL 10	LL	PN 100	4	M 10 x 1	M 8 x 1	7,1	21	11,3	19,8	11	14	10	8.0 x 1.5
EWOM 06 LL	LL	PN 100	6	M 10 x 1	M 10 x 1	7,1	22	9,8	19,8	14	14	12	8.0 x 1.5
EWOM 06 LL 12-1.5	LL	PN 100	6	M 12 x 1.5	M 10 x 1	9,6	25	12,8	23,2	14	17	12	9.3 x 2.4
EWOM NW 04 HL	L	PN 250	6	M 10 x 1	M 12 x 1.5	8,0	27	12,0	22,0	12	14	14	8.0 x 1.5
EWOM NW 06 HL	L	PN 250	8	M 12 x 1.5	M 14 x 1.5	12,0	29	14,0	27,0	12	17	17	9.3 x 2.4
EWOM NW 08 HL	L	PN 250	10	M 14 x 1.5	M 16 x 1.5	12,0	30	15,0	28,0	14	19	19	11.3 x 2.4
EWOM NW 10 HL	L	PN 250	12	M 16 x 1.5	M 18 x 1.5	12,0	32	17,0	29,0	17	22	22	13.3 x 2.4
EWOM NW 13 HL	L	PN 250	15	M 18 x 1.5	M 22 x 1.5	12,0	37	21,0	36,0	19	24	27	15.3 x 2.4
EWOM NW 16 HL	L	PN 160	18	M 22 x 1.5	M 26 x 1.5	14,0	40	23,5	37,0	24	27	32	19.3 x 2.4
EWOM NW 20 HL	L	PN 160	22	M 26 x 1.5	M 30 x 2	16,0	44	27,5	43,0	27	32	36	23.3 x 2.4
EWOM NW 20 HL 27	L	PN 160	22	M 27 x 2	M 30 x 2	14,0	44	28,0	35,0	30	32	36	23.6 x 2.9
EWOM NW 25 HL	L	PN 100	28	M 33 x 2	M 36 x 2	18,0	47	30,5	42,0	36	41	41	29.5 x 3.0
EWOM NW 32 HL	L	PN 100	35	M 42 x 2	M 45 x 2	20,0	56	34,5	50,0	41	50	50	38.0 x 3.0
EWOM NW 40 HL	L	PN 100	42	M 48 x 2	M 52 x 2	22,0	62	39,0	56,0	50	55	60	44.5 x 3.0
EWOM NW 03 HS	S	PN 630	6	M 12 x 1.5	M 14 x 1.5	12,0	31	16,0	26,0	12	17	17	9.3 x 2.4
EWOM NW 04 HS	S	PN 630	8	M 14 x 1.5	M 16 x 1.5	12,0	32	17,0	27,0	14	19	19	11.3 x 2.4
EWOM NW 06 HS	S	PN 630	10	M 16 x 1.5	M 18 x 1.5	12,0	34	17,5	29,0	17	22	22	13.3 x 2.4
EWOM NW 08 HS	S	PN 630	12	M 18 x 1.5	M 20 x 1.5	12,0	38	21,5	32,0	19	24	24	15.3 x 2.4
EWOM NW 10 HS	S	PN 630	14	M 20 x 1.5	M 22 x 1.5	14,0	40	22,0	34,0	19	27	27	17.3 x 2.4
EWOM NW 13 HS	S	PN 400	16	M 22 x 1.5	M 24 x 1.5	14,0	43	24,5	37,0	24	27	30	19.3 x 2.4
EWOM NW 16 HS	S	PN 400	20	M 27 x 2	M 30 x 2	16,0	47	26,5	39,0	27	32	36	23.5 x 3.0
EWOM NW 20 HS	S	PN 400	25	M 33 x 2	M 36 x 2	18,0	54	30,0	45,0	36	41	46	29.5 x 3.0
EWOM NW 25 HS	S	PN 250	30	M 42 x 2	M 42 x 2	20,0	62	35,5	50,0	41	50	50	38.0 x 3.0
EWOM NW 32 HS	S	PN 250	38	M 48 x 2	M 52 x 2	22,0	72	41,0	56,0	50	55	60	44.5 x 3.0

Series: LL = Very light L = Light S = Heavy – PN = Nominal pressure PB = Max. operating pressure – Ø d2 = External pipe diameter

## Product versions

**XEWOM** Screw-in fitting, angle 90°, Socket (without union nut and cutting ring)