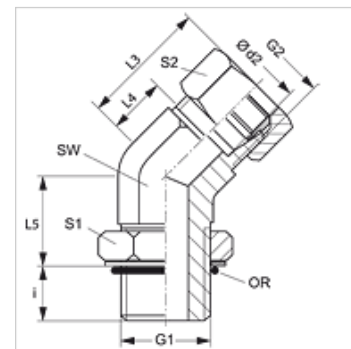


EWOM 45

Screw-in fitting, angle 45°

Properties

Connection 1	metric cylindrical outer thread
Sealing form 1	Shape F
Connection 2	metric cylindrical outer thread
Sealing form 2	24° inner cone
Design	Adjustable direction screw-in fitting
Construction	Angle 45°
Scope of supply	Socket with union nut and cutting ring
Material	Steel
Surface	electro galvanised



Note

Information about fitting, installation, pressure loads and permissible operating temperatures can be found in the technical information for pipe fittings.

Item

Identification	Series	Operating pressure	Ø d2 (mm)	G1	G2	i (mm)	L3 (mm)	L4 (mm)	L5 (mm)	AF (mm)	S1	S2	OR
EWOM 45 NW 04 HL	L	PN 315	6	M 10 x 1	M 12 x 1.5	8	24	9	20	14	14	14	8.1 x 1.6
EWOM 45 NW 06 HL	L	PN 315	8	M 12 x 1.5	M 14 x 1.5	11	27	12	18	14	17	17	9.3 x 2.4
EWOM 45 NW 08 HL	L	PN 315	10	M 14 x 1.5	M 16 x 1.5	11	27	12	22	19	19	19	11.3 x 2.4
EWOM 45 NW 10 HL	L	PN 315	12	M 16 x 1.5	M 18 x 1.5	11	28	14	23	19	22	22	13.3 x 2.4
EWOM 45 NW 13 HL	L	PN 315	15	M 18 x 1.5	M 22 x 1.5	12	32	17	23	22	24	27	15.3 x 2.4
EWOM 45 NW 16 HL	L	PN 315	18	M 22 x 1.5	M 26 x 1.5	12	33	17	30	27	27	32	19.3 x 2.4
EWOM 45 NW 20 HL 27	L	PN 160	22	M 27 x 2	M 30 x 2	15	35	19	30	30	32	36	23.6 x 2.9
EWOM 45 NW 25 HL	L	PN 160	28	M 33 x 2	M 36 x 2	15	40	23	34	36	41	41	29.5 x 3.0
EWOM 45 NW 32 HL	L	PN 160	35	M 42 x 2	M 45 x 2	15	48	27	36	50	50	50	38.0 x 3.0
EWOM 45 NW 40 HL	L	PN 160	42	M 48 x 2	M 52 x 2	17	49	26	36	50	55	60	44.5 x 3.0
EWOM 45 NW 03 HS	S	PN 400	6	M 12 x 1.5	M 14 x 1.5	11	24	9	18	14	17	17	9.3 x 2.4
EWOM 45 NW 04 HS	S	PN 400	8	M 14 x 1.5	M 16 x 1.5	11	27	12	18	19	19	19	11.3 x 2.4
EWOM 45 NW 06 HS	S	PN 400	10	M 16 x 1.5	M 18 x 1.5	12	29	13	22	19	22	22	13.3 x 2.4
EWOM 45 NW 08 HS	S	PN 400	12	M 18 x 1.5	M 20 x 1.5	14	33	17	23	22	24	24	15.3 x 2.4
EWOM 45 NW 13 HS	S	PN 400	16	M 22 x 1.5	M 24 x 1.5	14	34	16	20	27	27	30	19.3 x 2.4
EWOM 45 NW 16 HS	S	PN 400	20	M 27 x 2	M 30 x 2	18	38	16	33	30	32	36	23.6 x 2.9
EWOM 45 NW 20 HS	S	PN 315	25	M 33 x 2	M 36 x 2	18	43	19	35	36	41	41	29.5 x 3.0
EWOM 45 NW 25 HS	S	PN 250	30	M 42 x 2	M 42 x 2	18	50	24	36	50	50	50	38.0 x 3.0
EWOM 45 NW 32 HS	S	PN 200	38	M 42 x 2	M 52 x 2	21	52	21	36	50	55	60	38.0 x 3.0

Series: LL = Very light L = Light S = Heavy - PN = Nominal pressure PB = Max. operating pressure - Ø d2 = External pipe diameter

Product versions

XEWOM 45 Screw-in fitting, angle 45°, Socket (without union nut and cutting ring)