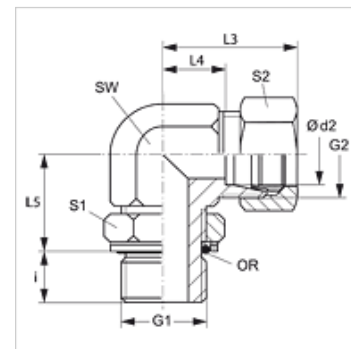


Properties

Connection 1	metric cylindrical outer thread
Sealing form 1	O-ring and spacer diaphragm ring
Connection 2	metric cylindrical outer thread
Sealing form 2	24° inner cone
Design	Adjustable direction screw-in fitting
Construction	Angle 90°
Scope of supply	Socket with union nut and cutting ring
Material	Steel
Surface	electro galvanised



Note

Information about fitting, installation, pressure loads and permissible operating temperatures can be found in the technical information for pipe fittings.

Item

Identification	Series	Operating pressure	Ø d2 (mm)	G1	G2	i (mm)	L3 (mm)	L4 (mm)	L5 (mm)	AF (mm)	S1	S2	OR
EWOMK NW 04 HL	L	PN 315	6	M 10 x 1	M 12 x 1.5	7	29	14	20	14	13	14	8.1 x 1.6
EWOMK NW 06 HL	L	PN 315	8	M 12 x 1.5	M 14 x 1.5	10	31	16	22	14	17	17	9.3 x 2.4
EWOMK NW 08 HL	L	PN 315	10	M 14 x 1.5	M 16 x 1.5	10	32	17	24	19	17	19	11.3 x 2.4
EWOMK NW 10 HL	L	PN 315	12	M 16 x 1.5	M 18 x 1.5	10	34	19	25	19	19	22	13.3 x 2.4
EWOMK NW 13 HL	L	PN 315	15	M 18 x 1.5	M 22 x 1.5	11	36	21	31	22	22	27	15.3 x 2.4
EWOMK NW 16 HL	L	PN 250	18	M 22 x 1.5	M 26 x 1.5	12	40	24	33	27	27	32	19.3 x 2.4
EWOMK NW 20 HL 27	L	PN 160	22	M 27 x 2	M 30 x 2	14	44	28	36	30	32	36	23.6 x 2.9
EWOMK NW 25 HL	L	PN 160	28	M 33 x 2	M 36 x 2	14	47	31	39	36	38	41	29.5 x 3.0
EWOMK NW 32 HL	L	PN 160	35	M 42 x 2	M 42 x 2	14	59	38	49	50	50	50	38.0 x 3.0
EWOMK NW 40 HL	L	PN 160	42	M 48 x 2	M 52 x 2	16	61	38	50	55	50	60	44.5 x 3.0
EWOMK NW 03 HS	S	PN 315	6	M 12 x 1.5	M 14 x 1.5	10	30	15	22	14	17	17	9.3 x 2.4
EWOMK NW 04 HS	S	PN 315	8	M 14 x 1.5	M 16 x 1.5	10	32	17	26	19	17	19	11.3 x 2.4
EWOMK NW 06 HS	S	PN 315	10	M 16 x 1.5	M 18 x 1.5	11	34	18	27	19	19	22	13.3 x 2.4
EWOMK NW 08 HS	S	PN 315	12	M 18 x 1.5	M 20 x 1.5	12	38	22	31	22	22	24	15.3 x 2.4
EWOMK NW 13 HS	S	PN 250	16	M 22 x 1.5	M 24 x 1.5	14	43	25	36	27	27	30	19.3 x 2.4
EWOMK NW 16 HS	S	PN 250	20	M 27 x 2	M 30 x 2	16	49	28	39	30	32	36	23.6 x 2.9
EWOMK NW 20 HS	S	PN 160	25	M 33 x 2	M 36 x 2	16	54	30	44	36	38	46	29.5 x 3.0
EWOMK NW 25 HS	S	PN 160	30	M 42 x 2	M 42 x 2	17	62	36	51	50	50	50	38.0 x 3.0
EWOMK NW 32 HS	S	PN 160	38	M 48 x 2	M 52 x 2	19	65	34	54	50	55	60	44.5 x 3.0

Series: LL = Very light L = Light S = Heavy - PN = Nominal pressure PB = Max. operating pressure - Ø d2 = External pipe diameter

Product versions

XEWOMK Screw-in fitting, angle 90°, Socket (without union nut and cutting ring)