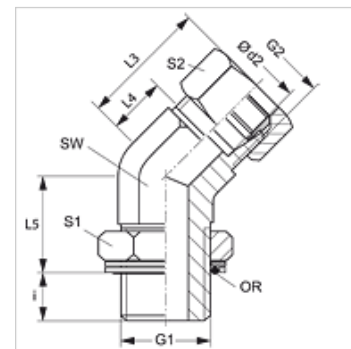


EWOMK 45

Screw-in fitting, angle 45°

Properties

Connection 1	BSP external thread, cylindrical
Sealing form 1	O-ring and spacer diaphragm ring
Connection 2	metric cylindrical outer thread
Sealing form 2	24° inner cone
Design	Adjustable direction screw-in fitting
Construction	Angle 45°
Scope of supply	Socket with union nut and cutting ring
Material	Steel
Surface	electro galvanised



Note

Information about fitting, installation, pressure loads and permissible operating temperatures can be found in the technical information for pipe fittings.

Item

Identification	Series	Operating pressure	Ø d2 (mm)	G1	G2	i (mm)	L3 (mm)	L4 (mm)	L5 (mm)	AF (mm)	S1	S2	OR
EWOMK 45 NW 04 HL	L	PN 315	6	M 10 x 1	M 12 x 1.5	8	24	9	20	14	13	14	8.1 x 1.6
EWOMK 45 NW 06 HL	L	PN 315	8	M 12 x 1.5	M 14 x 1.5	11	27	12	18	14	17	17	9.3 x 2.4
EWOMK 45 NW 08 HL	L	PN 315	10	M 14 x 1.5	M 16 x 1.5	11	27	12	22	19	17	19	11.3 x 2.4
EWOMK 45 NW 10 HL	L	PN 315	12	M 16 x 1.5	M 18 x 1.5	11	28	14	23	19	19	22	13.3 x 2.4
EWOMK 45 NW 13 HL	L	PN 315	15	M 18 x 1.5	M 22 x 1.5	12	32	17	23	22	22	27	15.3 x 2.4
EWOMK 45 NW 16 HL	L	PN 250	18	M 22 x 1.5	M 26 x 1.5	12	33	17	30	27	27	32	19.3 x 2.4
EWOMK 45 NW 20 HL 27	L	PN 160	22	M 27 x 2	M 30 x 2	15	35	19	30	30	32	36	23.6 x 2.9
EWOMK 45 NW 25 HL	L	PN 160	28	M 33 x 2	M 36 x 2	15	40	23	34	36	41	38	29.5 x 3.0
EWOMK 45 NW 32 HL	L	PN 160	35	M 42 x 2	M 45 x 2	15	48	27	36	50	50	50	38.0 x 3.0
EWOMK 45 NW 40 HL	L	PN 160	42	M 48 x 2	M 52 x 2	17	49	26	36	50	55	60	44.5 x 3.0
EWOMK 45 NW 03 HS	S	PN 315	6	M 12 x 1.5	M 14 x 1.5	11	24	9	18	14	17	17	9.3 x 2.4
EWOMK 45 NW 04 HS	S	PN 315	8	M 14 x 1.5	M 16 x 1.5	11	27	12	18	19	17	19	11.3 x 2.4
EWOMK 45 NW 06 HS	S	PN 315	10	M 16 x 1.5	M 18 x 1.5	12	29	13	22	19	19	22	13.3 x 2.4
EWOMK 45 NW 08 HS	S	PN 315	12	M 18 x 1.5	M 20 x 1.5	14	33	17	23	22	22	24	15.3 x 2.4
EWOMK 45 NW 13 HS	S	PN 250	16	M 22 x 1.5	M 24 x 1.5	14	34	16	30	27	27	30	19.3 x 2.4
EWOMK 45 NW 16 HS	S	PN 250	20	M 27 x 2	M 30 x 2	18	38	16	33	30	32	36	23.6 x 2.9
EWOMK 45 NW 20 HS	S	PN 160	25	M 33 x 2	M 36 x 2	18	43	19	35	36	38	46	29.5 x 3.0
EWOMK 45 NW 25 HS	S	PN 160	30	M 42 x 2	M 42 x 2	18	50	24	36	50	50	50	38.0 x 3.0
EWOMK 45 NW 32 HS	S	PN 160	38	M 48 x 2	M 52 x 2	21	52	21	36	50	50	60	44.5 x 3.0

Series: LL = Very light L = Light S = Heavy – PN = Nominal pressure PB = Max. operating pressure – Ø d2 = External pipe diameter

Product versions

XEWOMK 45 Screw-in fitting, angle 45°, Socket (without union nut and cutting ring)