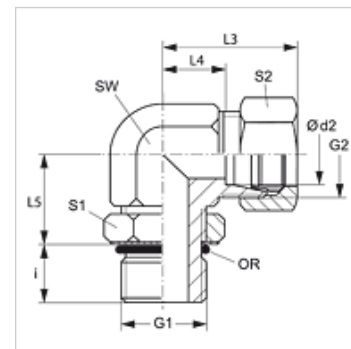


## Properties

<b>Connection 1</b>	BSP external thread, cylindrical
<b>Sealing form 1</b>	form G
<b>Connection 2</b>	metric cylindrical outer thread
<b>Sealing form 2</b>	24° inner cone
<b>Design</b>	Adjustable direction screw-in fitting
<b>Construction</b>	Angle 90°
<b>Scope of supply</b>	Socket with union nut and cutting ring
<b>Material</b>	Steel
<b>Surface</b>	electro galvanised



## Note

Information about fitting, installation, pressure loads and permissible operating temperatures can be found in the technical information for pipe fittings.

## Item

Identification	Series	Operating pressure	Ø d2 (mm)	G1	G2	i (mm)	L3 (mm)	L4 (mm)	L5 (mm)	AF (mm)	S1	S2	OR
EWOR NW 04 HL	L	PN 250	6	G 1/8" -28	M 12 x 1.5	8	26,5	12,0	21,5	12	14	14	8.00 x 1.50
EWOR NW 06 HL	L	PN 250	8	G 1/4" -19	M 14 x 1.5	12	28,5	14,0	26,0	14	19	17	10.77 x 2.62
EWOR NW 06 HL 3/8	L	PN 250	8	G 3/8" -19	M 14 x 1.5	12	31,5	17,0	28,5	17	22	22	13.94 x 2.62
EWOR NW 08 HL	L	PN 250	10	G 1/4" -19	M 16 x 1.5	12	29,5	15,0	26,0	14	19	19	10.77 x 2.62
EWOR NW 10 HL	L	PN 250	12	G 3/8" -19	M 18 x 1.5	12	31,5	17,0	28,5	17	22	22	13.94 x 2.62
EWOR NW 13 HL	L	PN 250	15	G 1/2" -14	M 22 x 1.5	14	36,0	21,0	33,5	19	27	27	17.86 x 2.62
EWOR NW 16 HL	L	PN 160	18	G 1/2" -14	M 26 x 1.5	14	39,5	23,5	36,5	24	27	32	17.86 x 2.62
EWOR NW 20 HL	L	PN 160	22	G 3/4" -14	M 30 x 2	16	43,5	27,5	41,0	27	32	36	23.47 x 2.62
EWOR NW 25 HL	L	PN 100	28	G 1" -11	M 36 x 2	18	47,0	30,5	45,0	36	41	41	29.74 x 3.53
EWOR NW 32 HL	L	PN 100	35	G 1.1/4" -11	M 45 x 2	20	56,0	34,5	50,0	41	50	50	37.69 x 3.53
EWOR NW 40 HL	L	PN 100	42	G 1.1/2" -11	M 52 x 2	22	62,5	40,0	56,0	50	55	60	44.04 x 3.53
EWOR NW 03 HS	S	PN 630	6	G 1/4" -19	M 14 x 1.5	12	30,5	15,0	26,0	12	19	17	10.77 x 2.62
EWOR NW 04 HS	S	PN 630	8	G 1/4" -19	M 16 x 1.5	12	31,5	17,0	27,0	14	19	19	10.77 x 2.62
EWOR NW 06 HS	S	PN 630	10	G 3/8" -19	M 18 x 1.5	12	33,5	17,5	28,5	17	22	22	13.94 x 2.62
EWOR NW 08 HS	S	PN 630	12	G 3/8" -19	M 20 x 1.5	12	37,5	21,5	32,5	19	22	24	13.94 x 2.62
EWOR NW 10 HS	S	PN 630	14	G 1/2" -14	M 22 x 1.5	14	39,5	22,0	33,5	19	27	27	17.86 x 2.62
EWOR NW 13 HS	S	PN 400	16	G 1/2" -14	M 24 x 1.5	14	42,5	24,5	36,5	24	27	30	17.86 x 2.62
EWOR NW 16 HS	S	PN 400	20	G 3/4" -14	M 30 x 2	16	47,0	26,5	41,0	27	32	36	23.47 x 2.62
EWOR NW 20 HS	S	PN 400	25	G 1" -11	M 36 x 2	18	54,0	30,0	45,0	36	41	46	29.74 x 3.53
EWOR NW 25 HS	S	PN 250	30	G 1.1/4" -11	M 42 x 2	20	62,0	35,5	50,0	41	50	50	37.69 x 3.53
EWOR NW 32 HS	S	PN 250	38	G 1.1/2" -11	M 52 x 2	22	71,5	41,0	56,0	50	55	60	44.04 x 3.53

PN = Nominal pressure PB = Max. operating pressure - Series: LL = Very light L = Light S = Heavy - Ø d2 = External pipe diameter

## Product versions

**XEWOR** Screw-in fitting, angle 90°, Socket (without union nut and cutting ring)