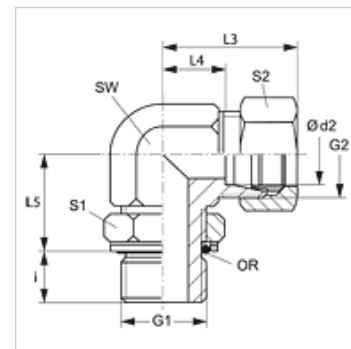


Properties

Connection 1	BSP external thread, cylindrical
Sealing form 1	O-ring and spacer diaphragm ring
Connection 2	metric cylindrical outer thread
Sealing form 2	24° inner cone
Design	Adjustable direction screw-in fitting
Construction	Angle 90°
Scope of supply	Socket with union nut and cutting ring
Material	Steel
Surface	electro galvanised



Note

Information about fitting, installation, pressure loads and permissible operating temperatures can be found in the technical information for pipe fittings.

Item

Identification	Series	Operating pressure	Ø d2 (mm)	G1	G2	i (mm)	L3 (mm)	L4 (mm)	L5 (mm)	AF (mm)	S1	S2	OR
EWORk 04 LL	LL	PN 250	4	G 1/8" -28	M 8 x 1	7,1	21	11,3	20	11	14	10	7.97 x 1.88
EWORk 06 LL	LL	PN 250	6	G 1/8" -28	M 10 x 1	7,1	21	11,3	20	11	14	12	7.97 x 1.88
EWORk NW 04 HL	L	PN 315	6	G 1/8" -28	M 12 x 1.5	7,0	29	14,0	19	14	14	14	7.97 x 1.88
EWORk NW 06 HL	L	PN 315	8	G 1/4" -19	M 14 x 1.5	9,0	31	16,0	23	14	19	17	10.77 x 2.62
EWORk NW 08 HL	L	PN 315	10	G 1/4" -19	M 16 x 1.5	9,0	32	17,0	25	19	19	19	10.77 x 2.62
EWORk NW 10 HL	L	PN 250	12	G 3/8" -19	M 18 x 1.5	9,0	34	19,0	28	19	22	22	13.94 x 2.62
EWORk NW 13 HL	L	PN 250	15	G 1/2" -14	M 22 x 1.5	13,0	36	21,0	30	22	27	27	17.86 x 2.62
EWORk NW 16 HL	L	PN 250	18	G 1/2" -14	M 26 x 1.5	13,0	40	24,0	36	27	27	32	17.86 x 2.62
EWORk NW 20 HL	L	PN 160	22	G 3/4" -14	M 30 x 2	13,0	44	28,0	36	30	36	36	23.47 x 2.62
EWORk NW 25 HL	L	PN 160	28	G 1" -11	M 36 x 2	15,0	47	31,0	44	36	41	41	29.74 x 3.53
EWORk NW 32 HL	L	PN 160	35	G 1.1/4" -11	M 45 x 2	15,0	59	38,0	50	50	50	50	37.69 x 3.53
EWORk NW 40 HL	L	PN 160	42	G 1.1/2" -11	M 52 x 2	15,0	61	38,0	52	50	55	60	44.04 x 3.53
EWORk NW 03 HS	S	PN 315	6	G 1/4" -19	M 14 x 1.5	9,0	30	15,0	23	14	19	17	10.77 x 2.62
EWORk NW 04 HS	S	PN 315	8	G 1/4" -19	M 16 x 1.5	9,0	32	17,0	27	19	19	19	10.77 x 2.62
EWORk NW 06 HS	S	PN 250	10	G 3/8" -19	M 18 x 1.5	9,0	34	18,0	29	19	22	22	13.94 x 2.62
EWORk NW 08 HS	S	PN 250	12	G 3/8" -19	M 20 x 1.5	9,0	38	22,0	29	22	22	24	13.94 x 2.62
EWORk NW 13 HS	S	PN 250	16	G 1/2" -14	M 24 x 1.5	13,0	43	25,0	36	27	27	30	17.86 x 2.62
EWORk NW 16 HS	S	PN 250	20	G 3/4" -14	M 30 x 2	12,0	49	28,0	39	30	36	36	23.47 x 2.62
EWORk NW 20 HS	S	PN 250	25	G 1" -11	M 36 x 2	14,0	54	30,0	44	36	41	46	29.74 x 3.53
EWORk NW 25 HS	S	PN 160	30	G 1.1/4" -11	M 42 x 2	15,0	62	36,0	49	50	50	50	37.69 x 3.53
EWORk NW 32 HS	S	PN 160	38	G 1.1/2" -11	M 52 x 2	15,0	65	34,0	55	50	55	60	44.04 x 3.53

Series: LL = Very light L = Light S = Heavy - PN = Nominal pressure PB = Max. operating pressure - Ø d2 = External pipe diameter

Product versions

XEWORK Screw-in fitting, angle 90°, Socket (without union nut and cutting ring)