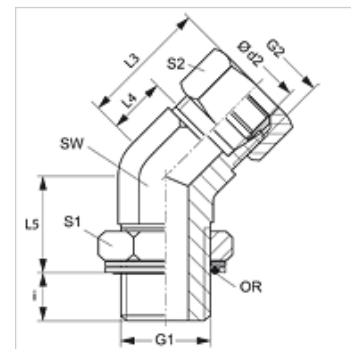


# EWORC 45

Screw-in fitting, angle 45°

## Properties

<b>Connection 1</b>	BSP external thread, cylindrical
<b>Sealing form 1</b>	O-ring and spacer diaphragm ring
<b>Connection 2</b>	metric cylindrical outer thread
<b>Sealing form 2</b>	24° inner cone
<b>Design</b>	Adjustable direction screw-in fitting
<b>Construction</b>	Angle 45°
<b>Scope of supply</b>	Socket with union nut and cutting ring
<b>Material</b>	Steel
<b>Surface</b>	electro galvanised



## Note

Information about fitting, installation, pressure loads and permissible operating temperatures can be found in the technical information for pipe fittings.

## Item

Identification	Series	Operating pressure	Ø d2 (mm)	G1	G2	i (mm)	L3 (mm)	L4 (mm)	L5 (mm)	AF (mm)	S1	S2	OR
EWORC 45 NW 04 HL	L	PN 315	6	G 1/8" -28	M 12 x 1.5	7	24	9	21	14	14	14	7.97 x 1.88
EWORC 45 NW 06 HL	L	PN 315	8	G 1/4" -19	M 14 x 1.5	9	27	12	20	14	19	17	10.77 x 2.62
EWORC 45 NW 08 HL	L	PN 315	10	G 1/4" -19	M 16 x 1.5	9	27	12	25	19	19	19	10.77 x 2.62
EWORC 45 NW 10 HL	L	PN 250	12	G 3/8" -19	M 18 x 1.5	9	28	14	28	19	22	22	13.94 x 2.62
EWORC 45 NW 13 HL	L	PN 250	15	G 1/2" -14	M 22 x 1.5	13	32	17	26	22	27	27	17.86 x 2.62
EWORC 45 NW 16 HL	L	PN 250	18	G 1/2" -14	M 26 x 1.5	13	33	17	32	27	27	32	17.86 x 2.62
EWORC 45 NW 20 HL	L	PN 160	22	G 3/4" -14	M 30 x 2	13	35	19	37	30	36	36	23.47 x 2.62
EWORC 45 NW 25 HL	L	PN 160	28	G 1" -11	M 36 x 2	15	40	23	37	36	41	41	29.74 x 3.53
EWORC 45 NW 32 HL	L	PN 160	35	G 1.1/4" -11	M 45 x 2	15	48	27	39	50	50	50	37.69 x 3.53
EWORC 45 NW 40 HL	L	PN 160	42	G 1.1/2" -11	M 52 x 2	15	49	26	39	50	55	60	44.04 x 3.53
EWORC 45 NW 03 HS	S	PN 315	6	G 1/4" -19	M 14 x 1.5	9	24	9	19	14	19	17	10.77 x 2.62
EWORC 45 NW 04 HS	S	PN 315	8	G 1/4" -19	M 16 x 1.5	9	27	12	23	19	19	19	10.77 x 2.62
EWORC 45 NW 06 HS	S	PN 250	10	G 3/8" -19	M 18 x 1.5	9	29	13	25	19	22	22	13.94 x 2.62
EWORC 45 NW 08 HS	S	PN 250	12	G 3/8" -19	M 20 x 1.5	9	33	17	25	22	22	24	13.94 x 2.62
EWORC 45 NW 13 HS	S	PN 250	16	G 1/2" -14	M 24 x 1.5	13	34	16	31	27	27	30	17.86 x 2.62
EWORC 45 NW 16 HS	S	PN 250	20	G 3/4" -14	M 30 x 2	12	38	16	34	30	36	36	23.47 x 2.62
EWORC 45 NW 20 HS	S	PN 250	25	G 1" -11	M 36 x 2	14	43	19	37	36	41	46	29.74 x 3.53
EWORC 45 NW 25 HS	S	PN 160	30	G 1.1/4" -11	M 42 x 2	15	50	24	38	50	50	50	37.69 x 3.53
EWORC 45 NW 32 HS	S	PN 160	38	G 1.1/2" -11	M 52 x 2	15	52	21	38	50	55	60	44.04 x 3.53

Series: LL = Very light L = Light S = Heavy - PN = Nominal pressure PB = Max. operating pressure - Ø d2 = External pipe diameter

## Product versions

**XEWORK 45** Screw-in fitting, angle 45°, Socket (without union nut and cutting ring)