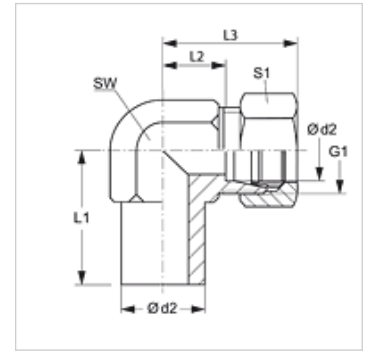


NEW

Fitting, angle 90°

Properties

Connection 1	Pipe socket not pre-assembled
Sealing form 1	Cutting ring connection
Connection 2	metric cylindrical outer thread
Sealing form 2	24° inner cone
Design	Adjustable direction fitting
Construction	Angle 90°
Standard	DIN 2353 ISO 8434-1
Scope of supply	Pipe socket without union nut and cutting ring
Material	Steel
Surface	electro galvanised



Note

Information about fitting, installation, pressure loads and permissible operating temperatures can be found in the technical information for pipe fittings.

Item

Identification	Series	Operating pressure	Ø d2 (mm)	G1	L1 (mm)	L2 (mm)	L3 (mm)	AF (mm)	S1
NEW NW 04 HL	L	PN 315	6	M 12 x 1.5	26,0	12,0	27	12	14
NEW NW 06 HL	L	PN 315	8	M 14 x 1.5	27,5	14,0	29	12	17
NEW NW 08 HL	L	PN 315	10	M 16 x 1.5	29,0	15,0	30	14	19
NEW NW 10 HL	L	PN 315	12	M 18 x 1.5	29,5	17,0	32	17	22
NEW NW 13 HL	L	PN 315	15	M 22 x 1.5	32,5	21,0	36	19	27
NEW NW 16 HL	L	PN 315	18	M 26 x 1.5	35,5	23,5	40	24	32
NEW NW 20 HL	L	PN 160	22	M 30 x 2	38,5	27,5	44	27	36
NEW NW 25 HL	L	PN 160	28	M 36 x 2	41,5	30,5	47	36	41
NEW NW 32 HL	L	PN 160	35	M 45 x 2	51,0	34,5	56	41	50
NEW NW 40 HL	L	PN 160	42	M 52 x 2	56,0	40,0	63	50	60
NEW NW 03 HS	S	PN 630	6	M 14 x 1.5	27,0	16,0	31	12	17
NEW NW 04 HS	S	PN 630	8	M 16 x 1.5	27,5	17,0	32	14	19
NEW NW 06 HS	S	PN 630	10	M 18 x 1.5	30,0	17,5	34	17	22
NEW NW 08 HS	S	PN 630	12	M 20 x 1.5	31,0	21,5	38	17	24
NEW NW 10 HS	S	PN 630	14	M 22 x 1.5	35,0	22,0	40	19	27
NEW NW 13 HS	S	PN 400	16	M 24 x 1.5	36,5	24,5	43	24	30
NEW NW 16 HS	S	PN 400	20	M 30 x 2	44,5	26,5	48	27	36
NEW NW 20 HS	S	PN 400	25	M 36 x 2	50,0	30,0	54	36	46
NEW NW 25 HS	S	PN 400	30	M 42 x 2	55,0	35,5	62	41	50
NEW NW 32 HS	S	PN 315	38	M 52 x 2	63,0	41,0	72	50	60

Series: LL = Very light L = Light S = Heavy – PN = Nominal pressure PB = Max. operating pressure – Ø d2 = External pipe diameter

Product versions

NEW VA	Fitting, angle 90°, Stainless steel
XNEW	Fitting, angle 90°, Steel

Additional elements

VOM	Pre-assembly sockets
-----	----------------------