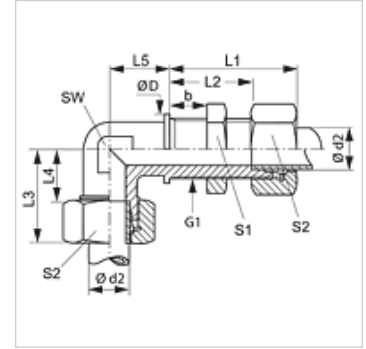


SW

Bulkhead fitting, angle 90

Properties

Connection 1 + 2	metric cylindrical outer thread
Sealing form 1 + 2	24° inner cone
Design	Bulkhead fitting
Construction	Angle 90°
Standard	DIN 2353 ISO 8434-1
Scope of supply	Socket with union nut and cutting ring
Material	Steel
Surface	electro galvanised



Note

Information about fitting, installation, pressure loads and permissible operating temperatures can be found in the technical information for pipe fittings.

Item

Identification	Series	Operating pressure	Ø d2 (mm)	G1	Ø D (mm)	b (mm)	L1 (mm)	L2 (mm)	L3 (mm)	L4 (mm)	L5 (mm)	AF (mm)	S1	S2
SW 16 LL	LL	PN 315	16	M 22 x 1.5	27	16	49	33,0	40	23,0	24	19	27	27
SW NW 04 HL	L	PN 315	6	M 12 x 1.5	17	16	42	27,0	27	12,0	14	12	17	14
SW NW 06 HL	L	PN 315	8	M 14 x 1.5	19	16	42	27,0	29	14,0	17	12	19	17
SW NW 08 HL	L	PN 315	10	M 16 x 1.5	22	16	43	28,0	30	15,0	18	14	22	19
SW NW 10 HL	L	PN 315	12	M 18 x 1.5	24	16	44	29,0	32	17,0	20	17	24	22
SW NW 13 HL	L	PN 315	15	M 22 x 1.5	27	16	46	31,0	36	21,0	23	19	30	27
SW NW 16 HL	L	PN 315	18	M 26 x 1.5	32	16	49	32,5	40	23,5	24	24	36	32
SW NW 20 HL	L	PN 160	22	M 30 x 2	36	16	51	34,5	44	27,5	30	27	41	36
SW NW 25 HL	L	PN 160	28	M 36 x 2	42	16	52	35,5	47	30,5	34	36	46	41
SW NW 32 HL	L	PN 160	35	M 45 x 2	50	16	58	36,5	56	34,5	39	41	55	50
SW NW 40 HL	L	PN 160	42	M 52 x 2	60	16	59	36,0	63	40,0	43	50	65	60
SW NW 03 HS	S	PN 630	6	M 14 x 1.5	19	16	44	29,0	31	16,0	17	12	19	17
SW NW 04 HS	S	PN 630	8	M 16 x 1.5	22	16	44	29,0	32	17,0	18	14	22	19
SW NW 06 HS	S	PN 630	10	M 18 x 1.5	24	16	46	29,5	34	17,5	20	17	24	22
SW NW 08 HS	S	PN 630	12	M 20 x 1.5	27	16	47	30,5	38	21,5	21	17	27	24
SW NW 10 HS	S	PN 630	14	M 22 x 1.5	27	16	50	32,0	40	22,0	23	19	30	27
SW NW 13 HS	S	PN 400	16	M 24 x 1.5	30	16	50	31,5	43	24,5	24	24	32	30
SW NW 16 HS	S	PN 400	20	M 30 x 2	36	16	55	33,5	48	26,5	30	27	41	36
SW NW 20 HS	S	PN 400	25	M 36 x 2	42	16	59	35,0	54	30,0	34	36	46	46
SW NW 25 HS	S	PN 400	30	M 42 x 2	50	16	64	37,5	62	35,5	39	41	50	50
SW NW 32 HS	S	PN 315	38	M 52 x 2	60	16	68	37,0	72	41,0	43	50	65	60

Series: LL = Very light L = Light S = Heavy – PN = Nominal pressure PB = Max. operating pressure – Ø d2 = External pipe diameter

Product versions

SW MG	Bulkhead fitting, angle 90, Brass
SW VA	Bulkhead fitting, angle 90, Stainless steel
XSW	Bulkhead fitting, angle 90, Steel