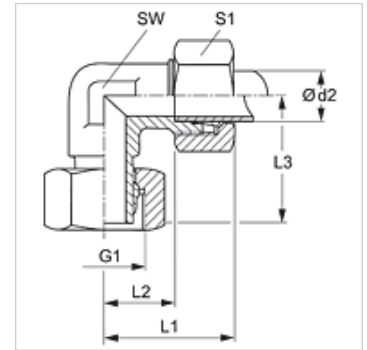


Properties

Connection 1	metric nut thread
Sealing form 1	Pipe socket with cutting ring
Connection 2	metric cylindrical outer thread
Sealing form 2	24° inner cone
Design	Adjustable direction fitting
Construction	Angle 90°
Standard	DIN 2353 ISO 8434-1
Scope of supply	Socket with union nut and cutting ring
Material	Steel
Surface	electro galvanised



Note

Information about fitting, installation, pressure loads and permissible operating temperatures can be found in the technical information for pipe fittings.

Item

Identification	Series	Operating pressure	Ø d2 (mm)	G1	L1 (mm)	L2 (mm)	L3 (mm)	AF (mm)	S1
VEW 16 LL	LL	PN 100	16	M 22 x 1.5	21	36,0	33,0	19	27
VEW NW 04 HL	L	PN 315	6	M 12 x 1.5	27	12,0	26,0	12	14
VEW NW 06 HL	L	PN 315	8	M 14 x 1.5	29	14,0	27,5	12	17
VEW NW 08 HL	L	PN 315	10	M 16 x 1.5	30	15,0	29,0	14	19
VEW NW 10 HL	L	PN 315	12	M 18 x 1.5	32	17,0	29,5	17	22
VEW NW 13 HL	L	PN 315	15	M 22 x 1.5	36	21,0	32,5	19	27
VEW NW 16 HL	L	PN 315	18	M 26 x 1.5	40	23,5	35,5	24	32
VEW NW 20 HL	L	PN 160	22	M 30 x 2	44	27,5	38,0	27	36
VEW NW 25 HL	L	PN 160	28	M 36 x 2	47	30,5	41,5	36	41
VEW NW 32 HL	L	PN 160	35	M 45 x 2	56	34,5	51,0	41	50
VEW NW 40 HL	L	PN 160	42	M 52 x 2	63	40,0	56,0	50	60
VEW NW 03 HS	S	PN 630	6	M 14 x 1.5	31	16,0	27,0	12	17
VEW NW 04 HS	S	PN 630	8	M 16 x 1.5	32	17,0	27,5	14	19
VEW NW 06 HS	S	PN 630	10	M 18 x 1.5	34	17,5	29,5	17	22
VEW NW 08 HS	S	PN 630	12	M 20 x 1.5	38	21,5	30,5	17	24
VEW NW 10 HS	S	PN 630	14	M 22 x 1.5	40	22,0	35,0	19	27
VEW NW 13 HS	S	PN 400	16	M 24 x 1.5	43	24,5	36,5	24	30
VEW NW 16 HS	S	PN 400	20	M 30 x 2	48	26,5	44,5	27	36
VEW NW 20 HS	S	PN 400	25	M 36 x 2	54	30,0	49,5	36	46
VEW NW 25 HS	S	PN 400	30	M 42 x 2	62	35,5	55,0	41	50
VEW NW 32 HS	S	PN 315	38	M 52 x 2	72	41,0	63,0	50	60

Series: LL = Very light L = Light S = Heavy - PN = Nominal pressure PB = Max. operating pressure - Ø d2 = External pipe diameter

Product versions

VEW MG	Fitting, angle 90°, Brass
VEW VA	Fitting, angle 90°, Stainless steel