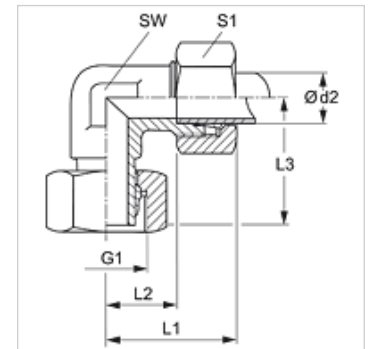


VEW MG

Fitting, angle 90°

Properties

Connection 1	metric nut thread
Sealing form 1	Pipe socket with cutting ring
Connection 2	metric cylindrical outer thread
Sealing form 2	24° inner cone
Design	Adjustable direction fitting
Construction	Angle 90°
Standard	DIN 2353 ISO 8434-1
Scope of supply	Socket with union nut and cutting ring
Material	Brass



Note

Information about fitting, installation, pressure loads and permissible operating temperatures can be found in the technical information for pipe fittings.

Item

Identification	Series	Operating pressure	Ø d2 (mm)	G1	L1 (mm)	L2 (mm)	L3 (mm)	AF (mm)	S1
VEW NW 04 HL MG	L	PN 200	6	M 12 x 1.5	27	12,0	26,0	12	14
VEW NW 06 HL MG	L	PN 200	8	M 14 x 1.5	29	14,0	27,5	12	17
VEW NW 08 HL MG	L	PN 200	10	M 16 x 1.5	30	15,0	29,0	14	19
VEW NW 10 HL MG	L	PN 200	12	M 18 x 1.5	32	17,0	29,5	17	22
VEW NW 13 HL MG	L	PN 200	15	M 22 x 1.5	36	21,0	32,5	19	27
VEW NW 16 HL MG	L	PN 200	18	M 26 x 1.5	40	23,5	35,5	24	32
VEW NW 20 HL MG	L	PN 100	22	M 30 x 2	44	27,5	38,0	27	36
VEW NW 03 HS MG	S	PN 400	6	M 14 x 1.5	31	16,0	27,0	12	17
VEW NW 04 HS MG	S	PN 400	8	M 16 x 1.5	32	17,0	27,5	14	19
VEW NW 06 HS MG	S	PN 400	10	M 18 x 1.5	34	17,5	29,5	17	22
VEW NW 08 HS MG	S	PN 400	12	M 20 x 1.5	38	21,5	30,5	17	24
VEW NW 13 HS MG	S	PN 250	16	M 24 x 1.5	43	24,5	36,5	24	30
VEW NW 20 HS MG	S	PN 250	25	M 36 x 2	54	30,0	49,5	36	46
VEW NW 25 HS MG	S	PN 250	30	M 42 x 2	62	35,5	55,0	41	50

Series: LL = Very light L = Light S = Heavy - PN = Nominal pressure PB = Max. operating pressure - Ø d2 = External pipe diameter

Product versions

VEW	Fitting, angle 90°, Steel
VEW VA	Fitting, angle 90°, Stainless steel