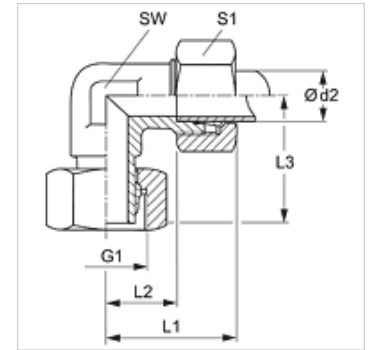


VEW VA

Fitting, angle 90°

Properties

Connection 1	metric nut thread
Sealing form 1	Pipe socket with cutting ring
Connection 2	metric cylindrical outer thread
Sealing form 2	24° inner cone
Design	Adjustable direction fitting
Construction	Angle 90°
Standard	DIN 2353 ISO 8434-1
Scope of supply	Socket with union nut and cutting ring
Material	Stainless steel



Note

Information about fitting, installation, pressure loads and permissible operating temperatures can be found in the technical information for pipe fittings.

Item

Identification	Series	Operating pressure	$\varnothing d2$ (mm)	G1	L1 (mm)	L2 (mm)	L3 (mm)	AF (mm)	S1
VEW NW 04 HL VA	L	PN 315	6	M 12 x 1.5	27	12,0	26,0	12	14
VEW NW 06 HL VA	L	PN 315	8	M 14 x 1.5	29	14,0	27,5	12	17
VEW NW 08 HL VA	L	PN 315	10	M 16 x 1.5	30	15,0	29,0	14	19
VEW NW 10 HL VA	L	PN 315	12	M 18 x 1.5	32	17,0	29,5	17	22
VEW NW 13 HL VA	L	PN 315	15	M 22 x 1.5	36	21,0	32,5	19	27
VEW NW 16 HL VA	L	PN 315	18	M 26 x 1.5	40	23,5	35,5	24	32
VEW NW 20 HL VA	L	PN 160	22	M 30 x 2	44	27,5	38,0	27	36
VEW NW 25 HL VA	L	PN 160	28	M 36 x 2	47	30,5	41,5	36	41
VEW NW 32 HL VA	L	PN 160	35	M 45 x 2	56	34,5	51,0	41	50
VEW NW 40 HL VA	L	PN 160	42	M 52 x 2	63	40,0	56,0	50	60
VEW NW 03 HS VA	S	PN 630	6	M 14 x 1.5	31	16,0	27,0	12	17
VEW NW 04 HS VA	S	PN 630	8	M 16 x 1.5	32	17,0	27,5	14	19
VEW NW 06 HS VA	S	PN 630	10	M 18 x 1.5	34	17,5	29,5	17	22
VEW NW 08 HS VA	S	PN 630	12	M 20 x 1.5	38	21,5	30,5	17	24
VEW NW 10 HS VA	S	PN 630	14	M 22 x 1.5	40	22,0	35,0	19	27
VEW NW 13 HS VA	S	PN 400	16	M 24 x 1.5	43	24,5	36,5	24	30
VEW NW 16 HS VA	S	PN 400	20	M 30 x 2	48	26,5	44,5	27	36
VEW NW 20 HS VA	S	PN 400	25	M 36 x 2	54	30,0	49,5	36	46
VEW NW 25 HS VA	S	PN 400	30	M 42 x 2	62	35,5	55,0	41	50
VEW NW 32 HS VA	S	PN 315	38	M 52 x 2	72	41,0	63,0	50	60

Series: LL = Very light L = Light S = Heavy - PN = Nominal pressure PB = Max. operating pressure - $\varnothing d2$ = External pipe diameter

Product versions

VEW	Fitting, angle 90°, Steel
VEW MG	Fitting, angle 90°, Brass
XVEW VA	Fitting, angle 90°, Stainless steel