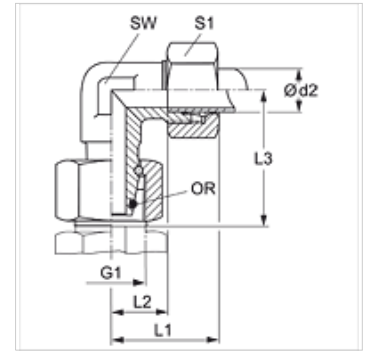


Properties

Connection 1	metric nut thread
Sealing form 1	24° outer cone with O-ring
Connection 2	metric cylindrical outer thread
Sealing form 2	24° inner cone
Design	Adjustable direction fitting
Construction	Angle 90°
Standard	ISO 8434-4
Scope of supply	Socket with union nut and cutting ring
Material	Steel
Surface	electro galvanised



Note

Information about fitting, installation, pressure loads and permissible operating temperatures can be found in the technical information for pipe fittings.

Item

Identification	Series	Operating pressure	Ø d2 (mm)	G1	L1 (mm)	L2 (mm)	L3 (mm)	AF (mm)	S1	OR
VEWO NW 04 HL	L	PN 315	6	M 12 x 1.5	26,0	12,0	27	12	14	4.0 x 1.5
VEWO NW 06 HL	L	PN 315	8	M 14 x 1.5	27,5	14,0	29	12	17	6.0 x 1.5
VEWO NW 08 HL	L	PN 315	10	M 16 x 1.5	29,0	15,0	30	14	19	7.5 x 1.5
VEWO NW 10 HL	L	PN 315	12	M 18 x 1.5	29,5	17,0	32	17	22	9.0 x 1.5
VEWO NW 13 HL	L	PN 315	15	M 22 x 1.5	32,5	21,0	36	19	27	12.0 x 2.0
VEWO NW 16 HL	L	PN 315	18	M 26 x 1.5	35,5	23,5	40	24	32	15.0 x 2.0
VEWO NW 20 HL	L	PN 160	22	M 30 x 2	38,5	27,5	44	27	36	20.0 x 2.0
VEWO NW 25 HL	L	PN 160	28	M 36 x 2	41,5	30,5	47	36	41	26.0 x 2.0
VEWO NW 32 HL	L	PN 160	35	M 45 x 2	51,0	34,5	56	41	50	32.0 x 2.5
VEWO NW 40 HL	L	PN 160	42	M 52 x 2	56,0	40,0	63	50	60	38.0 x 2.5
VEWO NW 03 HS	S	PN 630	6	M 14 x 1.5	27,0	16,0	31	12	17	4.0 x 1.5
VEWO NW 04 HS	S	PN 630	8	M 16 x 1.5	27,5	17,0	32	14	19	6.0 x 1.5
VEWO NW 06 HS	S	PN 630	10	M 18 x 1.5	30,0	17,5	34	17	22	7.5 x 1.5
VEWO NW 08 HS	S	PN 630	12	M 20 x 1.5	31,0	21,5	38	17	24	9.0 x 1.5
VEWO NW 10 HS	S	PN 630	14	M 22 x 1.5	35,0	22,0	40	19	27	10.0 x 2.0
VEWO NW 13 HS	S	PN 400	16	M 24 x 1.5	36,5	24,5	43	24	30	12.0 x 2.0
VEWO NW 16 HS	S	PN 400	20	M 30 x 2	44,5	26,5	48	27	36	16.3 x 2.4
VEWO NW 20 HS	S	PN 400	25	M 36 x 2	50,0	30,0	54	36	46	20.3 x 2.4
VEWO NW 25 HS	S	PN 400	30	M 42 x 2	55,0	35,5	62	41	50	25.3 x 2.4
VEWO NW 32 HS	S	PN 315	38	M 52 x 2	63,0	41,0	72	50	60	33.3 x 2.4

PN = Nominal pressure PB = Max. operating pressure – Series: LL = Very light L = Light S = Heavy – Ø d2 = External pipe diameter

Product versions

VEWO VA	Fitting, angle 90°, Stainless steel
XVEWO	Fitting, angle 90°, Steel