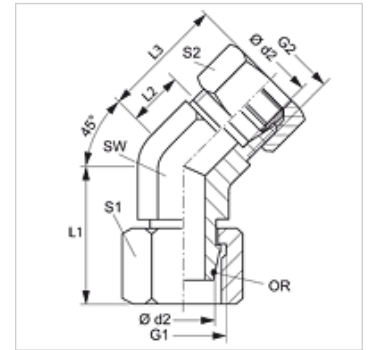


VEWO 45

Fitting, angle 45°

Properties

| | |
|------------------------|--|
| Connection 1 | metric nut thread |
| Sealing form 1 | 24° outer cone with O-ring |
| Connection 2 | metric cylindrical outer thread |
| Sealing form 2 | 24° inner cone |
| Design | Adjustable direction fitting |
| Construction | Angle 45° |
| Scope of supply | Socket with union nut and cutting ring |
| Material | Steel |
| Surface | electro galvanised |



Note

Information about fitting, installation, pressure loads and permissible operating temperatures can be found in the technical information for pipe fittings.

Item

| Identification | Series | Operating pressure | Ø d2 (mm) | G1 + G2 | L1 (mm) | L2 (mm) | L3 (mm) | AF (mm) | S1 | OR |
|------------------|--------|--------------------|--------------|------------|------------|------------|------------|------------|----|------------|
| VEWO 45 NW 04 HL | L | PN 315 | 6 | M 12 x 1.5 | 26,0 | 9,0 | 24 | 14 | 14 | 4.0 x 1.5 |
| VEWO 45 NW 06 HL | L | PN 315 | 8 | M 14 x 1.5 | 27,5 | 12,0 | 27 | 14 | 17 | 6.0 x 1.5 |
| VEWO 45 NW 08 HL | L | PN 315 | 10 | M 16 x 1.5 | 29,0 | 12,0 | 27 | 19 | 19 | 7.5 x 1.5 |
| VEWO 45 NW 10 HL | L | PN 315 | 12 | M 18 x 1.5 | 29,5 | 14,0 | 29 | 19 | 22 | 9.0 x 1.5 |
| VEWO 45 NW 13 HL | L | PN 315 | 15 | M 22 x 1.5 | 32,5 | 17,0 | 32 | 22 | 27 | 12.0 x 2.0 |
| VEWO 45 NW 16 HL | L | PN 315 | 18 | M 26 x 1.5 | 35,5 | 16,5 | 33 | 27 | 32 | 15.0 x 2.0 |
| VEWO 45 NW 20 HL | L | PN 160 | 22 | M 30 x 2 | 38,5 | 18,5 | 35 | 30 | 36 | 20.0 x 2.0 |
| VEWO 45 NW 25 HL | L | PN 160 | 28 | M 36 x 2 | 41,5 | 23,0 | 40 | 36 | 41 | 26.0 x 2.0 |
| VEWO 45 NW 32 HL | L | PN 160 | 35 | M 45 x 2 | 51,0 | 26,5 | 48 | 50 | 50 | 32.0 x 2.5 |
| VEWO 45 NW 40 HL | L | PN 160 | 42 | M 52 x 2 | 56,0 | 26,0 | 49 | 50 | 60 | 38.0 x 2.5 |
| VEWO 45 NW 03 HS | S | PN 630 | 6 | M 14 x 1.5 | 27,0 | 9,0 | 24 | 14 | 17 | 4.0 x 1.5 |
| VEWO 45 NW 04 HS | S | PN 630 | 8 | M 16 x 1.5 | 27,5 | 12,0 | 27 | 19 | 19 | 6.0 x 1.5 |
| VEWO 45 NW 06 HS | S | PN 630 | 10 | M 18 x 1.5 | 30,0 | 13,5 | 30 | 19 | 22 | 7.5 x 1.5 |
| VEWO 45 NW 08 HS | S | PN 630 | 12 | M 20 x 1.5 | 31,0 | 16,5 | 33 | 19 | 24 | 9.0 x 1.5 |
| VEWO 45 NW 13 HS | S | PN 400 | 16 | M 24 x 1.5 | 36,5 | 15,5 | 34 | 19 | 30 | 12.0 x 2.0 |
| VEWO 45 NW 16 HS | S | PN 400 | 20 | M 30 x 2 | 44,5 | 16,0 | 38 | 27 | 36 | 16.3 x 2.4 |
| VEWO 45 NW 20 HS | S | PN 400 | 25 | M 36 x 2 | 50,0 | 18,5 | 43 | 36 | 46 | 20.3 x 2.4 |
| VEWO 45 NW 25 HS | S | PN 400 | 30 | M 42 x 2 | 55,0 | 23,5 | 50 | 50 | 50 | 25.3 x 2.4 |
| VEWO 45 NW 32 HS | S | PN 315 | 38 | M 52 x 2 | 63,0 | 21,0 | 52 | 50 | 60 | 33.3 x 2.4 |

Series: LL = Very light L = Light S = Heavy – PN = Nominal pressure PB = Max. operating pressure – Ø d2 = External pipe diameter

Product versions

| | |
|-------------------|-------------------------------------|
| VEWO 45 VA | Fitting, angle 45°, Stainless steel |
| XVEWO 45 | Fitting, angle 45°, Steel |