

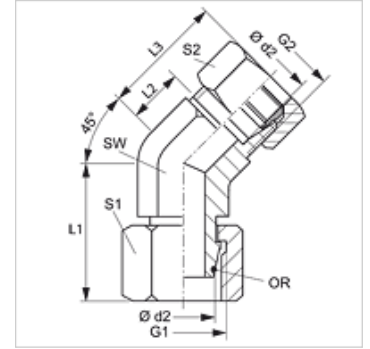
# VEWO 45 VA

Fitting, angle 45°

**HANSA FLEX**

## Properties

<b>Connection 1</b>	metric nut thread
<b>Sealing form 1</b>	24° outer cone with O-ring
<b>Connection 2</b>	metric cylindrical outer thread
<b>Sealing form 2</b>	24° inner cone
<b>Design</b>	Adjustable direction fitting
<b>Construction</b>	Angle 45°
<b>Scope of supply</b>	Socket with union nut and cutting ring
<b>Material</b>	Stainless steel



## Ordering information

Seals of NBR

FPM (Viton) on request

## Item

Identification	Series	Operating pressure	Ø d2 (mm)	G1 + G2	L1 (mm)	L2 (mm)	L3 (mm)	AF (mm)	S1	OR
VEWO 45 NW 04 HL VA	L	PN 315	6	M 12 x 1.5	26,0	9,0	24	14	14	4.0 x 1.5
VEWO 45 NW 06 HL VA	L	PN 315	8	M 14 x 1.5	27,5	12,0	27	14	17	6.0 x 1.5
VEWO 45 NW 08 HL VA	L	PN 315	10	M 16 x 1.5	29,0	12,0	27	19	19	7.5 x 1.5
VEWO 45 NW 10 HL VA	L	PN 315	12	M 18 x 1.5	29,5	14,0	29	19	22	9.0 x 1.5
VEWO 45 NW 13 HL VA	L	PN 315	15	M 22 x 1.5	32,5	17,0	32	22	27	12.0 x 2.0
VEWO 45 NW 16 HL VA	L	PN 315	18	M 26 x 1.5	35,5	16,5	33	27	32	15.0 x 2.0
VEWO 45 NW 20 HL VA	L	PN 160	22	M 30 x 2	38,5	18,5	35	30	36	20.0 x 2.0
VEWO 45 NW 25 HL VA	L	PN 160	28	M 36 x 2	41,5	23,0	40	36	41	26.0 x 2.0
VEWO 45 NW 32 HL VA	L	PN 160	35	M 45 x 2	51,0	26,5	48	50	50	32.0 x 2.5
VEWO 45 NW 40 HL VA	L	PN 160	42	M 52 x 2	56,0	26,0	49	50	60	38.0 x 2.5
VEWO 45 NW 03 HS VA	S	PN 630	6	M 14 x 1.5	27,0	9,0	24	14	17	4.0 x 1.5
VEWO 45 NW 04 HS VA	S	PN 630	8	M 16 x 1.5	27,5	12,0	27	19	19	6.0 x 1.5
VEWO 45 NW 06 HS VA	S	PN 630	10	M 18 x 1.5	30,0	13,5	30	19	22	7.5 x 1.5
VEWO 45 NW 08 HS VA	S	PN 630	12	M 20 x 1.5	31,0	16,5	33	19	24	9.0 x 1.5
VEWO 45 NW 13 HS VA	S	PN 400	16	M 24 x 1.5	36,5	15,5	34	19	30	12.0 x 2.0
VEWO 45 NW 16 HS VA	S	PN 400	20	M 30 x 2	44,5	16,0	38	27	36	16.3 x 2.4
VEWO 45 NW 20 HS VA	S	PN 400	25	M 36 x 2	50,0	18,5	43	36	46	20.3 x 2.4
VEWO 45 NW 25 HS VA	S	PN 400	30	M 42 x 2	55,0	23,5	50	50	50	25.3 x 2.4
VEWO 45 NW 32 HS VA	S	PN 315	38	M 52 x 2	63,0	21,0	52	50	60	33.3 x 2.4

Series: LL = Very light L = Light S = Heavy – PN = Nominal pressure PB = Max. operating pressure – Ø d2 = External pipe diameter

## Product versions

VEWO 45	Fitting, angle 45°, Steel
XVEWO 45 VA	Fitting, angle 45°, Stainless steel