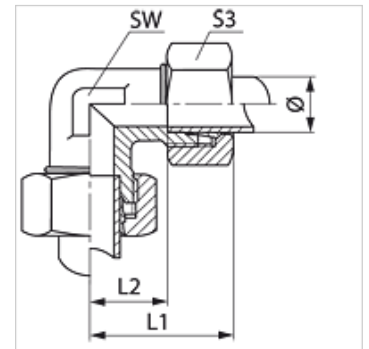


W

Fitting, angle 90°

Properties

Connection 1 + 2	metric cylindrical outer thread
Sealing form 1 + 2	24° inner cone
Design	Fitting
Construction	Angle 90°
Standard	DIN 2353 ISO 8434-1
Scope of supply	Socket with union nut and cutting ring
Material	Steel
Surface	electro galvanised



Note

Information about fitting, installation, pressure loads and permissible operating temperatures can be found in the technical information for pipe fittings.

Item

Identification	Series	Operating pressure	External pipe Ø (mm)	L1 (mm)	L2 (mm)	AF (mm)	S3
W 04 LL	LL	PN 100	4	21	11,0	7	10
W 05 LL	LL	PN 100	5	21	9,5	11	12
W 06 LL	LL	PN 100	6	21	9,5	9	12
W 08 LL	LL	PN 100	8	23	11,5	12	14
W 10 LL	LL	PN 100	10	27	15,5	14	17
W 12 LL	LL	PN 100	12	27	15,0	17	19
W 16 LL	LL	PN 100	16	40	22,0	19	27
W NW 04 HL	L	PN 315	6	27	12,0	12	14
W NW 06 HL	L	PN 315	8	29	14,0	12	17
W NW 08 HL	L	PN 315	10	30	15,0	14	19
W NW 10 HL	L	PN 315	12	32	17,0	17	22
W NW 13 HL	L	PN 315	15	36	21,0	19	27
W NW 16 HL	L	PN 315	18	40	23,5	24	32
W NW 20 HL	L	PN 160	22	44	27,5	27	36
W NW 25 HL	L	PN 160	28	47	30,5	36	41
W NW 32 HL	L	PN 160	35	56	34,5	41	50
W NW 40 HL	L	PN 160	42	63	40,0	50	60
W NW 03 HS	S	PN 630	6	31	16,0	12	17
W NW 04 HS	S	PN 630	8	32	17,0	14	19
W NW 06 HS	S	PN 630	10	34	17,5	17	22
W NW 08 HS	S	PN 630	12	38	21,5	17	24
W NW 10 HS	S	PN 630	14	40	22,0	19	27
W NW 13 HS	S	PN 400	16	43	24,5	24	30
W NW 16 HS	S	PN 400	20	48	26,5	27	36
W NW 20 HS	S	PN 400	25	54	30,0	36	46
W NW 25 HS	S	PN 400	30	62	35,5	41	50
W NW 32 HS	S	PN 315	38	72	41,0	50	60

Series: LL = Very light L = Light S = Heavy – PN = Nominal pressure PB = Max. operating pressure – Ø = External pipe diameter

Product versions

W MG	Fitting, angle 90°, Brass
W VA W90	Fitting, angle 90°, Stainless steel
XW	Fitting, angle 90°, Steel