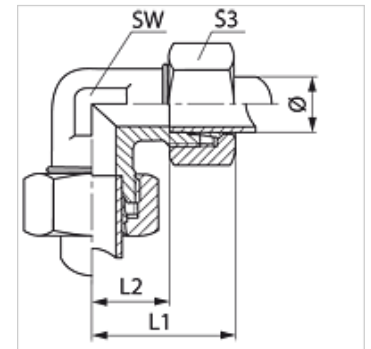


W MG

Fitting, angle 90°

Properties

Connection 1 + 2	metric cylindrical outer thread
Sealing form 1 + 2	24° inner cone
Design	Fitting
Construction	Angle 90°
Standard	DIN 2353 ISO 8434-1
Scope of supply	Socket with union nut and cutting ring
Material	Brass



Item

Identification	Series	Operating pressure	External pipe Ø (mm)	L1 (mm)	L2 (mm)	AF (mm)	S3
W 04 LL MG	LL	PN 63	4	21	11,0	7	10
W 06 LL MG	LL	PN 63	6	21	9,5	9	12
W 08 LL MG	LL	PN 63	8	23	11,5	12	14
W 10 LL MG	LL	PN 63	10	27	15,5	14	17
W NW 04 HL MG	L	PN 200	6	27	12,0	12	14
W NW 06 HL MG	L	PN 200	8	29	14,0	12	17
W NW 08 HL MG	L	PN 200	10	30	15,0	14	19
W NW 10 HL MG	L	PN 200	12	32	17,0	17	22
W NW 13 HL MG	L	PN 200	15	36	21,0	19	27
W NW 16 HL MG	L	PN 200	18	40	23,5	24	32
W NW 20 HL MG	L	PN 100	22	44	27,5	27	36
W NW 25 HL MG	L	PN 100	28	47	30,5	36	41
W NW 32 HL MG	L	PN 100	35	56	34,5	41	50
W NW 40 HL MG	L	PN 100	42	63	40,0	50	60
W NW 03 HS MG	S	PN 400	6	31	16,0	12	17
W NW 04 HS MG	S	PN 400	8	32	17,0	14	19
W NW 06 HS MG	S	PN 400	10	34	17,5	17	22
W NW 08 HS MG	S	PN 400	12	38	21,5	17	24
W NW 10 HS MG	S	PN 400	14	40	22,0	19	27
W NW 13 HS MG	S	PN 250	16	43	24,5	24	30
W NW 16 HS MG	S	PN 250	20	48	26,5	27	36
W NW 20 HS MG	S	PN 250	25	54	30,0	36	46
W NW 25 HS MG	S	PN 250	30	62	35,5	41	50
W NW 32 HS MG	S	PN 200	38	72	41,0	50	60

Series: LL = Very light L = Light S = Heavy – PN = Nominal pressure PB = Max. operating pressure – Ø = External pipe diameter

Product versions

W	Fitting, angle 90°, Steel
W VA W90	Fitting, angle 90°, Stainless steel