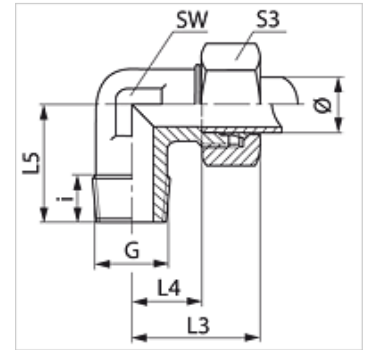


Properties

Connection 1	metric conical outer thread
Sealing form 1	thread seal
Connection 2	metric cylindrical outer thread
Sealing form 2	24° inner cone
Design	Screw-in fitting
Construction	Angle 90°
Standard	DIN 2353 ISO 8434-1
Scope of supply	Socket with union nut and cutting ring
Material	Steel
Surface	electro galvanised



Note

Information about fitting, installation, pressure loads and permissible operating temperatures can be found in the technical information for pipe fittings.

Item

Identification	Series	Operating pressure	External pipe Ø (mm)	G	i (mm)	L3 (mm)	L4 (mm)	L5 (mm)	AF (mm)	S3
WM 04 LL	LL	PN 100	4	M 8 x 1 K	7,5	21	11,0	17	9	10
WM 04 LL 6	LL	PN 100	4	M 6 x 1 K	7,0	21	11,0	17	9	10
WM 05 LL	LL	PN 100	5	M 8 x 1 K	8,0	21	9,5	17	11	12
WM 06 LL	LL	PN 100	6	M 10 x 1 K	9,0	21	9,5	17	11	12
WM 06 LL 6	LL	PN 100	6	M 6 x 1 K	7,0	21	9,5	17	11	12
WM 06 LL 8	LL	PN 100	6	M 8 x 1 K	8,0	21	9,5	17	11	12
WM 08 LL	LL	PN 100	8	M 10 x 1 K	10,0	23	11,5	20	12	14
WM NW 04 HL	L	PN 315	6	M 10 x 1 K	8,0	27	12,0	20	12	14
WM NW 04 HL 12	L	PN 315	6	M 12 x 1.5 K	12,0	27	12,0	22	12	14
WM NW 06 HL	L	PN 315	8	M 12 x 1.5 K	12,0	29	14,0	26	12	17
WM NW 08 HL	L	PN 315	10	M 14 x 1.5 K	11,5	30	15,0	27	14	19
WM NW 08 HL 16	L	PN 315	10	M 16 x 1.5 K	11,5	30	15,0	28	14	19
WM NW 10 HL	L	PN 315	12	M 16 x 1.5 K	11,5	32	17,0	28	17	22
WM NW 13 HL	L	PN 315	15	M 18 x 1.5 K	13,5	36	21,0	32	19	27
WM NW 16 HL	L	PN 315	18	M 22 x 1.5 K	15,0	40	23,5	36	24	32
WM NW 03 HS	S	PN 400	6	M 12 x 1.5 K	12,0	31	16,0	26	12	17
WM NW 04 HS	S	PN 400	8	M 14 x 1.5 K	12,0	32	17,0	27	14	19
WM NW 06 HS	S	PN 400	10	M 16 x 1.5 K	12,0	34	17,5	28	17	22
WM NW 08 HS	S	PN 400	12	M 18 x 1.5 K	12,0	38	21,5	28	17	24
WM NW 10 HS	S	PN 400	14	M 20 x 1.5 K	14,0	40	22,0	32	19	27
WM NW 13 HS	S	PN 400	16	M 22 x 1.5 K	14,0	43	24,5	32	24	30

Series: LL = Very light L = Light S = Heavy – PN = Nominal pressure PB = Max. operating pressure – Ø = External pipe diameter

Product versions

WMK VA	Screw-in fitting, angle 90°, Stainless steel
XWMK	Screw-in fitting, angle 90°, Steel