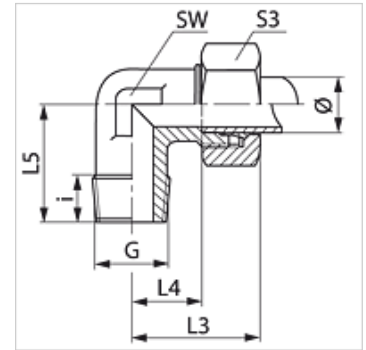


# WN VA

Screw-in fitting, angle 90°

## Properties

<b>Connection 1</b>	NPT external threads
<b>Sealing form 1</b>	thread seal
<b>Connection 2</b>	metric cylindrical outer thread
<b>Sealing form 2</b>	24° inner cone
<b>Design</b>	Screw-in fitting
<b>Construction</b>	Angle 90°
<b>Standard</b>	DIN 2353 ISO 8434-1
<b>Scope of supply</b>	Socket with union nut and cutting ring
<b>Material</b>	Stainless steel



## Note

Information about fitting, installation, pressure loads and permissible operating temperatures can be found in the technical information for pipe fittings.

## Item

Identification	Series	Operating pressure	External pipe Ø (mm)	G	i (mm)	L3 (mm)	L4 (mm)	L5 (mm)	AF (mm)	S3
WN 04 LL VA	LL	PN 100	4	1/8" -27 NPT	7,0	21	11,0	17	9	10
WN 06 LL VA	LL	PN 100	6	1/8" -27 NPT	10,0	21	9,5	17	9	12
WN 08 LL VA	LL	PN 100	8	1/8" -27 NPT	10,0	21	9,5	17	12	14
WN NW 04 HL VA	L	PN 315	6	1/8" -27 NPT	10,0	27	12,0	20	12	14
WN NW 04 HL 1/4 VA	L	PN 315	6	1/4" -18 NPT	12,0	29	14,0	26	12	14
WN NW 04 HL 3/8 VA	L	PN 315	6	3/8" -18 NPT	15,3	33	18,0	28	14	14
WN NW 04 HL 1/2 VA	L	PN 315	6	1/2" -14 NPT	17,0	38	23,0	34	19	14
WN NW 06 HL 1/8 VA	L	PN 315	8	1/8" -27 NPT	110,0	29	14,0	26	12	17
WN NW 06 HL VA	L	PN 315	8	1/4" -18 NPT	12,0	29	14,0	26	12	17
WN NW 06 HL 3/8 VA	L	PN 315	8	3/8" -18 NPT	15,2	23	11,5	20	12	17
WN NW 06 HL 1/2 VA	L	PN 315	8	1/2" -14 NPT	17,5	30	15,0	26	12	17
WN NW 08 HL 1/8 VA	L	PN 315	10	1/8" -27 NPT	10,0	30	15,0	27	14	19
WN NW 08 HL VA	L	PN 315	10	1/4" -18 NPT	14,0	30	15,0	27	14	19
WN NW 08 HL 3/8 VA	L	PN 315	10	3/8" -18 NPT	15,2	30	15,0	27	14	19
WN NW 08 HL 1/2 VA	L	PN 315	10	1/2" -14 NPT	20,0	37	21,0	33	17	19
WN NW 10 HL 1/4 VA	L	PN 315	12	1/4" -18 NPT	14,0	32	17,0	28	17	22
WN NW 10 HL VA	L	PN 315	12	3/8" -18 NPT	12,5	32	17,0	28	17	22
WN NW 10 HL 1/2 VA	L	PN 315	12	1/2" -14 NPT	19,0	38	23,0	34	19	22
WN NW 13 HL 3/8 VA	L	PN 315	15	3/8" -18 NPT	13,0	36	21,0	34	19	27
WN NW 13 HL VA	L	PN 315	15	1/2" -14 NPT	18,5	36	21,0	34	19	27
WN NW 16 HL 3/8 VA	L	PN 315	18	3/8" -18 NPT	15,3	40	23,5	36	24	32
WN NW 16 HL VA	L	PN 315	18	1/2" -14 NPT	20,0	40	23,5	36	24	32
WN NW 16 HL 3/4 VA	L	PN 315	18	3/4" -14 NPT	18,5	40	23,5	40	24	32
WN NW 20 HL 1/2 VA	L	PN 160	22	1/2" -14 NPT	20,0	44	27,5	42	27	36
WN NW 20 HL VA	L	PN 160	22	3/4" -14 NPT	18,5	44	27,5	42	27	36
WN NW 25 HL 3/4 VA	L	PN 160	28	3/4" -14 NPT	20,0	47	30,5	48	36	41
WN NW 25 HL VA	L	PN 160	28	1" -11.5 NPT	24,0	47	30,5	48	36	41
WN NW 32 HL VA	L	PN 160	35	1.1/4" -11.5 NPT	25,5	56	34,5	54	41	50
WN NW 40 HL VA	L	PN 160	42	1.1/2" -11.5 NPT	26,0	63	40,0	61	50	60
WN NW 03 HS VA	S	PN 630	6	1/4" -18 NPT	12,0	31	16,0	26	12	17
WN NW 03 HS 3/8 VA	S	PN 630	6	3/8" -18 NPT	15,3	32	17,5	27	14	17
WN NW 03 HS 1/2 VA	S	PN 630	6	1/2" -14 NPT	20,0	36	21,0	34	17	17
WN NW 04 HS VA	S	PN 630	8	1/4" -18 NPT	15,0	32	17,0	27	14	19
WN NW 04 HS 3/8 VA	S	PN 630	8	3/8" -18 NPT	15,3	33	18,0	28	14	19
WN NW 04 HS 1/2 VA	S	PN 630	8	1/2" -14 NPT	20,0	38	23,0	34	17	19
WN NW 06 HS 1/4 VA	S	PN 630	10	1/4" -18 NPT	15,0	34	17,5	28	17	22
WN NW 06 HS VA	S	PN 630	10	3/8" -18 NPT	12,0	34	17,5	28	17	22
WN NW 06 HS 1/2 VA	S	PN 630	10	1/2" -14 NPT	20,0	39	22,5	32	17	22
WN NW 08 HS 1/4 VA	S	PN 630	12	1/4" -18 NPT	15,0	38	21,5	29	17	24
WN NW 08 HS VA	S	PN 630	12	3/8" -18 NPT	12,5	38	21,5	28	17	24
WN NW 08 HS 1/2 VA	S	PN 630	12	1/2" -14 NPT	20,0	39	21,5	34	17	24
WN NW 10 HS 3/8 VA	S	PN 630	14	3/8" -18 NPT	15,3	40	22,0	30	19	27



# WN VA

Screw-in fitting, angle 90°

Item										
Identification	Series	Operating pressure	External pipe Ø (mm)	G	i (mm)	L3 (mm)	L4 (mm)	L5 (mm)	AF (mm)	S3
WN NW 10 HS VA	S	PN 630	14	1/2" -14 NPT	18,0	40	22,0	34	19	27
WN NW 13 HS 3/8 VA	S	PN 400	16	3/8" -18 NPT	15,3	43	24,5	32	24	30
WN NW 13 HS VA	S	PN 400	16	1/2" -14 NPT	19,0	43	24,5	36	24	30
WN NW 13 HS 3/4 VA	S	PN 400	16	3/4" -14 NPT	20,0	43	25,0	40	24	30
WN NW 16 HS 1/2 VA	S	PN 400	20	1/2" -14 NPT	20,0	48	26,5	42	27	36
WN NW 16 HS VA	S	PN 400	20	3/4" -14 NPT	20,0	48	26,6	42	27	36
WN NW 20 HS VA	S	PN 400	25	1" -11.5 NPT	24,0	54	30,0	48	36	46
WN NW 25 HS VA	S	PN 400	30	1.1/4" -11.5 NPT	25,5	62	35,5	54	41	50
WN NW 32 HS VA	S	PN 315	38	1.1/2" -11.5 NPT	26,0	72	41,0	61	50	60

PN = Nominal pressure PB = Max. operating pressure – Series: LL = Very light L = Light S = Heavy – Ø = External pipe diameter

## Product versions

WN	Screw-in fitting, angle 90°, Steel
WN MG	Screw-in fitting, angle 90°, Brass
XWN VA	Screw-in fitting, angle 90°, Stainless steel