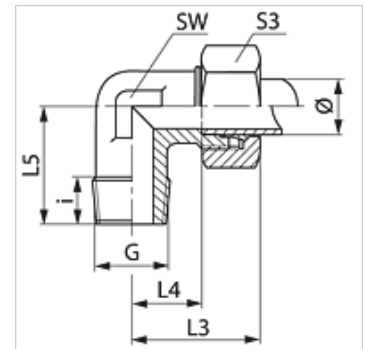


Properties

Connection 1	BSPT conical external threads
Sealing form 1	thread seal
Connection 2	metric cylindrical outer thread
Sealing form 2	24° inner cone
Design	Screw-in fitting
Construction	Angle 90°
Standard	DIN 2353 ISO 8434-1
Scope of supply	Socket with union nut and cutting ring
Material	Steel
Surface	electro galvanised



Note

Information about fitting, installation, pressure loads and permissible operating temperatures can be found in the technical information for pipe fittings.

Item

Identification	Series	Operating pressure	External pipe Ø (mm)	G	i (mm)	L3 (mm)	L4 (mm)	L5 (mm)	AF (mm)	S3
WR 04 LL	LL	PN 100	4	R 1/8" K	8	21	11,0	18	11	10
WR 05 LL	LL	PN 100	5	R 1/8" K	8	22	10,0	17	11	12
WR 06 LL	LL	PN 100	6	R 1/8" K	8	22	10,0	17	11	12
WR 08 LL	LL	PN 100	8	R 1/8" K	8	23	11,5	20	12	14
WR 10 LL	LL	PN 100	10	R 1/4" K	12	27	15,5	26	14	17
WR 12 LL	LL	PN 100	12	R 1/4" K	12	27	15,0	27	17	19
WR NW 04 HL	L	PN 315	6	R 1/8" K	8	27	12,0	20	12	14
WR NW 04 HL 1/4	L	PN 315	6	R 1/4" K	12	29	14,0	26	12	14
WR NW 04 HL 3/8	L	PN 315	6	R 3/8" K	12	29	14,0	26	12	14
WR NW 06 HL 1/8	L	PN 315	8	R 1/8" K	8	29	14,0	26	12	17
WR NW 06 HL	L	PN 315	8	R 1/4" K	12	29	14,0	26	12	17
WR NW 06 HL 3/8	L	PN 315	8	R 3/8" K	12	34	19,0	28	17	17
WR NW 06 HL 1/2	L	PN 315	8	R 1/2" K	13	34	19,0	30	17	17
WR NW 08 HL 1/8	L	PN 315	10	R 1/8" K	8	30	15,0	26	14	19
WR NW 08 HL	L	PN 315	10	R 1/4" K	12	30	15,0	27	14	19
WR NW 08 HL 3/8	L	PN 315	10	R 3/8" K	12	32	17,0	28	17	19
WR NW 08 HL 1/2	L	PN 316	10	R 1/2" K	14	38	23,0	34	19	19
WR NW 10 HL 1/4	L	PN 315	12	R 1/4" K	12	32	17,0	28	17	22
WR NW 10 HL	L	PN 315	12	R 3/8" K	12	32	17,0	28	17	22
WR NW 10 HL 1/2	L	PN 315	12	R 1/2" K	14	38	23,0	34	19	22
WRK NW 10 HL 3/4	L	PN 315	12	R 3/4" K	14	36	21,0	34	19	22
WR NW 13 HL 1/4	L	PN 315	15	R 1/4" K	12	36	21,0	30	19	27
WR NW 13 HL 3/8	L	PN 315	15	R 3/8" K	12	36	21,0	34	19	27
WR NW 13 HL	L	PN 315	15	R 1/2" K	14	36	21,0	34	19	27
WR NW 16 HL 3/8	L	PN 315	18	R 3/8" K	12	40	23,5	34	24	32
WR NW 16 HL	L	PN 315	18	R 1/2" K	14	40	23,5	36	24	32
WR NW 16 HL 3/4	L	PN 160	18	R 3/4" K	16	36	27,5	44	27	32
WRK NW 20 HL	L	PN 160	22	R 3/4" K	16	44	27,5	31	27	36
WR NW 03 HS	S	PN 400	6	R 1/4" K	12	31	16,0	26	12	17
WR NW 04 HS	S	PN 400	8	R 1/4" K	12	32	17,0	27	17	19
WR NW 06 HS	S	PN 400	10	R 3/8" K	12	34	17,5	28	17	22
WR NW 08 HS	S	PN 400	12	R 3/8" K	12	38	21,5	28	17	24
WR NW 08 HS 1/2	S	PN 400	12	R 1/2" K	14	40	23,5	34	19	24
WR NW 10 HS	S	PN 400	14	R 1/2" K	14	40	22,0	32	19	27
WR NW 13 HS	S	PN 400	16	R 1/2" K	14	43	24,5	32	24	30
WR NW 13 HS 3/8	S	PN 400	16	R 3/8" K	12	43	24,5	32	24	30
WR NW 16 HS 1/2	S	PN 400	20	R 1/2" K	14	48	26,5	42	27	36

Series: LL = Very light L = Light S = Heavy - PN = Nominal pressure PB = Max. operating pressure - Ø = External pipe diameter



WRK

Screw-in fitting, angle 90°

Product versions

WRK MG Screw-in fitting, angle 90°, Brass

WRK VA Screw-in fitting, angle 90°, Stainless steel

XWRK Screw-in fitting, angle 90°, Steel