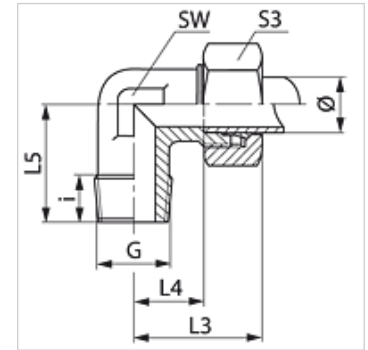


# WRK VA

Screw-in fitting, angle 90°

## Properties

<b>Connection 1</b>	BSPT conical external threads
<b>Sealing form 1</b>	thread seal
<b>Connection 2</b>	metric cylindrical outer thread
<b>Sealing form 2</b>	24° inner cone
<b>Design</b>	Screw-in fitting
<b>Construction</b>	Angle 90°
<b>Standard</b>	DIN 2353 ISO 8434-1
<b>Scope of supply</b>	Socket with union nut and cutting ring
<b>Material</b>	Stainless steel



## Note

Information about fitting, installation, pressure loads and permissible operating temperatures can be found in the technical information for pipe fittings.

## Item

Identification	Series	Operating pressure	External pipe Ø (mm)	G	i (mm)	L3 (mm)	L4 (mm)	L5 (mm)	AF (mm)	S3
WR 04 LL VA	LL	PN 100	4	R 1/8" K	8	21,0	11,0	18	11	10
WR 06 LL VA	LL	PN 100	6	R 1/8" K	8	22,0	10,0	17	11	12
WR 08 LL VA	LL	PN 100	8	R 1/8" K	8	23,0	11,5	20	12	14
WR NW 04 HL VA	L	PN 315	6	R 1/8" K	8	27,0	12,0	20	12	14
WR NW 04 HL 1/4 VA	L	PN 315	6	R 1/4" K	12	29,0	14,0	26	12	14
WR NW 04 HL 3/8 VA	L	PN 315	6	R 3/8" K	12	29,0	14,0	26	12	14
WR NW 04 HL 1/2 VA	L	PN 315	6	R 1/2" K	14	30,5	15,5	30	17	14
WR NW 06 HL 1/8 VA	L	PN 315	8	R 1/8" K	8	29,0	14,0	26	12	17
WR NW 06 HL VA	L	PN 315	8	R 1/4" K	12	29,0	14,0	26	12	17
WR NW 06 HL 3/8 VA	L	PN 315	8	R 3/8" K	12	34,0	19,0	28	17	17
WR NW 06 HL 1/2 VA	L	PN 315	8	R 1/2" K	13	34,0	19,0	30	17	17
WR NW 08 HL 1/8 VA	L	PN 315	10	R 1/8" K	8	30,0	15,0	26	14	19
WR NW 08 HL VA	L	PN 315	10	R 1/4" K	12	30,0	15,0	27	14	19
WR NW 08 HL 3/8 VA	L	PN 315	10	R 3/8" K	12	32,0	17,0	28	17	19
WR NW 08 HL 1/2 VA	L	PN 316	10	R 1/2" K	14	38,0	23,0	34	19	19
WR NW 10 HL 1/8 VA	L	PN 315	12	R 1/8" K	8	32,0	17,5	27	17	22
WR NW 10 HL 1/4 VA	L	PN 315	12	R 1/4" K	12	32,0	17,0	28	17	22
WR NW 10 HL VA	L	PN 315	12	R 3/8" K	12	32,0	17,0	28	17	22
WR NW 10 HL 1/2 VA	L	PN 315	12	R 1/2" K	14	38,0	23,0	34	19	22
WR NW 13 HL 1/4 VA	L	PN 315	15	R 1/4" K	12	36,0	21,0	30	19	27
WR NW 13 HL 3/8 VA	L	PN 315	15	R 3/8" K	12	36,0	21,0	34	19	27
WR NW 13 HL VA	L	PN 315	15	R 1/2" K	14	36,0	21,0	34	19	27
WR NW 13 HL 3/4 VA	L	PN 160	15	R 3/4" K	16	36,0	21,0	34	24	27
WR NW 16 HL 3/8 VA	L	PN 315	18	R 3/8" K	12	40,0	23,5	34	24	32
WR NW 16 HL VA	L	PN 315	18	R 1/2" K	14	40,0	23,5	36	24	32
WR NW 16 HL 3/4 VA	L	PN 160	18	R 3/4" K	16	36,0	27,5	44	27	32
WR NW 20 HL 1/2 VA	L	PN 160	22	R 1/2" K	14	44,0	27,5	41	27	36
WRK NW 20 HL VA	L	PN 160	22	R 3/4" K	16	44,0	27,5	31	27	36
WRK NW 25 HL VA	L	PN 160	28	R 1" K	20	51,5	30,5	47	36	41
WR NW 03 HS 1/8 VA	S	PN 400	6	R 1/8" K	8	29,5	15,0	25	8	12
WR NW 03 HS VA	S	PN 400	6	R 1/4" K	12	31,0	16,0	26	12	17
WR NW 03 HS 3/8 VA	S	PN 400	6	R 3/8" K	12	32,0	17,5	27	14	17
WR NW 03 HS 1/2 VA	S	PN 400	6	R 1/2" K	14	34,0	19,0	33	17	17
WR NW 04 HS VA	S	PN 400	8	R 1/4" K	12	32,0	17,0	27	17	19
WR NW 04 HS 3/8 VA	S	PN 400	8	R 3/8" K	12	33,0	18,0	28	14	19
WR NW 04 HS 1/2 VA	S	PN 400	8	R 1/2" K	14	38,0	23,0	33	17	19
WR NW 06 HS 1/4 VA	S	PN 400	10	R 1/4" K	12	34,0	17,5	28	17	22
WR NW 06 HS VA	S	PN 400	10	R 3/8" K	12	34,0	17,5	28	17	22
WR NW 06 HS 1/2 VA	S	PN 400	10	R 1/2" K	14	39,0	22,5	32	17	22
WR NW 08 HS 1/4 VA	S	PN 400	12	R 1/4" K	12	38,0	21,5	27	17	24
WR NW 08 HS VA	S	PN 400	12	R 3/8" K	12	38,0	21,5	28	17	24
WR NW 08 HS 1/2 VA	S	PN 400	12	R 1/2" K	14	40,0	23,5	34	19	24



# WRK VA

Screw-in fitting, angle 90°



Item										
Identification	Series	Operating pressure	External pipe Ø (mm)	G	i (mm)	L3 (mm)	L4 (mm)	L5 (mm)	AF (mm)	S3
WR NW 10 HS 3/8 VA	S	PN 400	14	R 3/8" K	12	40,0	22,0	30	19	27
WR NW 10 HS VA	S	PN 400	14	R 1/2" K	14	40,0	22,0	32	19	27
WR NW 13 HS 3/8 VA	S	PN 400	16	R 3/8" K	12	43,0	24,5	32	24	30
WR NW 13 HS VA	S	PN 400	16	R 1/2" K	14	43,0	24,5	32	24	30
WR NW 13 HS 3/4 VA	S	PN 160	16	R 3/4" K	16	43,0	24,5	41	24	30
WR NW 16 HS 1/2 VA	S	PN 400	20	R 1/2" K	14	48,0	26,5	42	27	36
WRK NW 16 HS VA	S	PN 160	20	R 3/4" K	16	48,0	26,5	42	27	36

Series: LL = Very light L = Light S = Heavy - PN = Nominal pressure PB = Max. operating pressure - Ø = External pipe diameter

Product versions	
<b>WRK</b>	Screw-in fitting, angle 90°, Steel
<b>WRK MG</b>	Screw-in fitting, angle 90°, Brass
<b>XWRK VA</b>	Screw-in fitting, angle 90°, Stainless steel