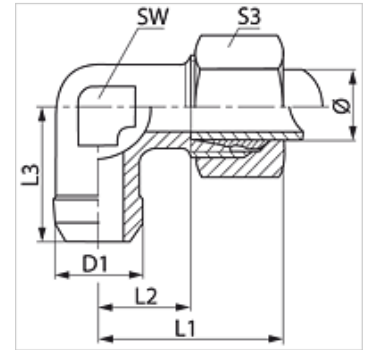


Properties

Connection 1	Welded on socket for metric pipe
Connection 2	metric cylindrical outer thread
Sealing form 2	24° inner cone
Design	Welded on fitting
Construction	Angle 90°
Standard	ISO 8434-1
Scope of supply	Socket with union nut and cutting ring
Material	Steel
Surface	phosphate treated and oiled (Znphr5f)



Note

Information about fitting, installation, pressure loads and permissible operating temperatures can be found in the technical information for pipe fittings.

Item

Identification	Series	Operating pressure	External pipe Ø (mm)	D1 (mm)	L1 (mm)	L2 (mm)	L3 (mm)	AF (mm)	S3
WSA NW 04 HL	L	PN 315	6	10	27	12,0	19	12	14
WSA NW 06 HL	L	PN 315	8	12	29	14,0	23	12	17
WSA NW 08 HL	L	PN 315	10	14	30	15,0	24	14	19
WSA NW 10 HL	L	PN 315	12	16	32	17,0	25	17	22
WSA NW 13 HL	L	PN 315	15	19	36	21,0	30	19	27
WSA NW 16 HL	L	PN 315	18	22	40	23,5	33	24	32
WSA NW 20 HL	L	PN 160	22	27	44	27,5	37	27	36
WSA NW 25 HL	L	PN 160	28	32	47	30,5	42	36	41
WSA NW 32 HL	L	PN 160	35	40	56	34,5	49	41	50
WSA NW 40 HL	L	PN 160	42	46	63	40,0	61	50	60
WSA NW 03 HS	S	PN 630	6	11	31	16,0	23	12	17
WSA NW 04 HS	S	PN 630	8	13	32	17,0	24	14	19
WSA NW 06 HS	S	PN 630	10	15	34	17,5	25	17	22
WSA NW 08 HS	S	PN 630	12	17	38	21,5	29	17	24
WSA NW 10 HS	S	PN 630	14	19	40	22,0	30	19	27
WSA NW 13 HS	S	PN 400	16	21	43	24,5	33	24	30
WSA NW 16 HS	S	PN 400	20	26	48	26,5	37	27	36
WSA NW 20 HS	S	PN 400	25	31	54	30,0	42	36	46
WSA NW 25 HS	S	PN 400	30	36	62	35,5	49	41	50
WSA NW 32 HS	S	PN 315	38	44	72	41,0	57	50	60

Series: LL = Very light L = Light S = Heavy - PN = Nominal pressure PB = Max. operating pressure - Ø = External pipe diameter

Product versions

WSA VA	Welded on fitting, angle 90°, Stainless steel
XWSA	Welded on fitting, angle 90°, Steel