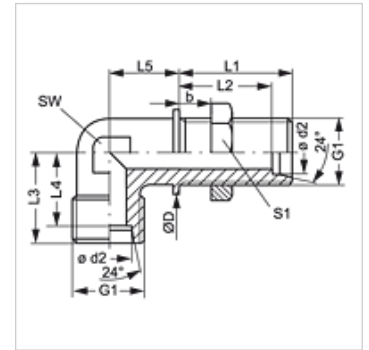


Properties

Connection 1 + 2	metric cylindrical outer thread
Sealing form 1 + 2	24° inner cone
Design	Bulkhead fitting
Construction	Angle 90°
Standard	DIN 2353 ISO 8434-1
Scope of supply	Socket (without union nut and cutting ring)
Material	Steel
Surface	electro galvanised



Note

Information about fitting, installation, pressure loads and permissible operating temperatures can be found in the technical information for pipe fittings.

Item

Identification	Series	Operating pressure	Ø d2 (mm)	G1	Ø D (mm)	b (mm)	L1 (mm)	L2 (mm)	L3 (mm)	L4 (mm)	L5 (mm)	AF (mm)	S1
XSW NW 04 HL	L	PN 315	6	M 12 x 1.5	17	16	34	27,0	19	12,0	14	12	17
XSW NW 06 HL	L	PN 315	8	M 14 x 1.5	19	16	34	27,0	21	14,0	17	12	19
XSW NW 08 HL	L	PN 315	10	M 16 x 1.5	22	16	35	28,0	22	15,0	18	14	22
XSW NW 10 HL	L	PN 315	12	M 18 x 1.5	24	16	36	29,0	24	17,0	20	17	24
XSW NW 13 HL	L	PN 315	15	M 22 x 1.5	27	16	38	31,0	28	21,0	23	19	30
XSW NW 16 HL	L	PN 315	18	M 26 x 1.5	32	16	40	32,5	31	23,5	24	24	36
XSW NW 20 HL	L	PN 160	22	M 30 x 2	36	16	42	34,5	35	27,5	30	27	41
XSW NW 25 HL	L	PN 160	28	M 36 x 2	42	16	43	35,5	38	30,5	34	36	46
XSW NW 32 HL	L	PN 160	35	M 45 x 2	50	16	47	36,5	45	34,5	39	41	55
XSW NW 40 HL	L	PN 160	42	M 52 x 2	60	16	47	36,0	51	40,0	43	50	65
XSW NW 03 HS	S	PN 630	6	M 14 x 1.5	19	16	36	29,0	23	16,0	17	12	19
XSW NW 04 HS	S	PN 630	8	M 16 x 1.5	22	16	36	29,0	24	17,0	18	14	22
XSW NW 06 HS	S	PN 630	10	M 18 x 1.5	24	16	36	29,5	25	17,5	20	17	24
XSW NW 08 HS	S	PN 630	12	M 20 x 1.5	27	16	38	30,5	29	21,5	21	17	27
XSW NW 10 HS	S	PN 630	14	M 22 x 1.5	27	16	40	32,0	30	22,0	23	19	30
XSW NW 13 HS	S	PN 400	16	M 24 x 1.5	30	16	40	31,5	33	24,5	24	24	32
XSW NW 16 HS	S	PN 400	20	M 30 x 2	36	16	44	33,5	37	26,5	30	27	41
XSW NW 20 HS	S	PN 400	25	M 36 x 2	42	16	47	35,0	42	30,0	34	36	46
XSW NW 25 HS	S	PN 400	30	M 42 x 2	50	16	51	37,5	49	35,5	39	41	50
XSW NW 32 HS	S	PN 315	38	M 52 x 2	60	16	53	37,0	57	41,0	43	50	65

Series: LL = Very light L = Light S = Heavy – PN = Nominal pressure PB = Max. operating pressure – Ø d2 = External pipe diameter

Product versions

XSW VA	Bulkhead fitting, angle 90, Stainless steel
SW	Bulkhead fitting, angle 90, Steel