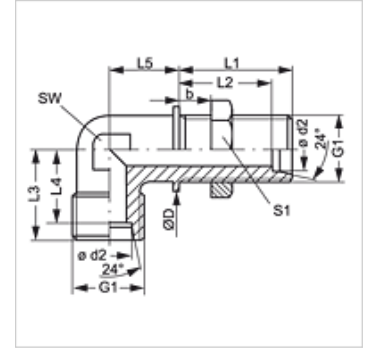


XSW VA

Bulkhead fitting, angle 90

Properties

Connection 1 + 2	metric cylindrical outer thread
Sealing form 1 + 2	24° inner cone
Design	Bulkhead fitting
Construction	Angle 90°
Standard	DIN 3911
Scope of supply	Socket (without union nut and cutting ring)
Material	Stainless steel



Note

Information about fitting, installation, pressure loads and permissible operating temperatures can be found in the technical information for pipe fittings.

Item

Identification	Series	Operating pressure	Ø d2 (mm)	G1	Ø D (mm)	b (mm)	L1 (mm)	L2 (mm)	L3 (mm)	L4 (mm)	L5 (mm)	AF (mm)	S1
XSW NW 04 HL VA	L	PN 315	6	M 12 x 1.5	17	16	34	27,0	19	12,0	14	12	17
XSW NW 06 HL VA	L	PN 315	8	M 14 x 1.5	19	16	34	27,0	21	14,0	17	12	19
XSW NW 08 HL VA	L	PN 315	10	M 16 x 1.5	22	16	35	28,0	22	15,0	18	14	22
XSW NW 10 HL VA	L	PN 315	12	M 18 x 1.5	24	16	36	29,0	24	17,0	20	17	24
XSW NW 13 HL VA	L	PN 315	15	M 22 x 1.5	27	16	38	31,0	28	21,0	25	19	30
XSW NW 16 HL VA	L	PN 315	18	M 26 x 1.5	32	16	40	32,5	31	23,5	24	24	36
XSW NW 20 HL VA	L	PN 160	22	M 30 x 2	36	16	42	34,5	35	27,5	30	27	41
XSW NW 25 HL VA	L	PN 160	28	M 36 x 2	42	16	43	35,5	38	30,5	34	36	46
XSW NW 32 HL VA	L	PN 160	35	M 45 x 2	50	16	47	36,5	45	34,5	39	41	55
XSW NW 40 HL VA	L	PN 160	42	M 52 x 2	60	16	47	36,0	51	40,0	43	50	65
XSW NW 03 HS VA	S	PN 630	6	M 14 x 1.5	19	16	36	29,0	23	16,0	17	12	19
XSW NW 04 HS VA	S	PN 630	8	M 16 x 1.5	22	16	36	29,0	24	17,0	18	14	22
XSW NW 06 HS VA	S	PN 630	10	M 18 x 1.5	24	16	16	29,5	25	17,5	20	17	24
XSW NW 08 HS VA	S	PN 630	12	M 20 x 1.5	27	16	38	30,5	29	21,5	21	17	27
XSW NW 10 HS VA	S	PN 630	14	M 22 x 1.5	27	16	40	32,0	30	22,0	23	19	30
XSW NW 13 HS VA	S	PN 400	16	M 24 x 1.5	30	16	40	31,5	33	24,5	24	24	32
XSW NW 16 HS VA	S	PN 400	20	M 30 x 2	36	16	44	33,5	37	26,5	30	27	41
XSW NW 20 HS VA	S	PN 400	25	M 36 x 2	42	16	47	35,0	42	30,0	34	36	46
XSW NW 25 HS VA	S	PN 400	30	M 42 x 2	50	16	51	37,5	49	35,5	39	41	50
XSW NW 32 HS VA	S	PN 315	38	M 52 x 2	60	16	53	37,0	57	41,0	43	50	65

Series: LL = Very light L = Light S = Heavy – PN = Nominal pressure PB = Max. operating pressure – Ø d2 = External pipe diameter

Product versions

XSW	Bulkhead fitting, angle 90, Steel
SW VA	Bulkhead fitting, angle 90, Stainless steel