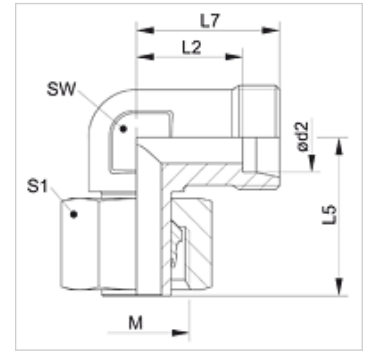


Properties

Connection 1	metric nut thread
Sealing form 1	Pipe socket with cutting ring
Connection 2	metric cylindrical outer thread
Sealing form 2	24° inner cone
Design	Adjustable direction fitting
Construction	Angle 90°
Standard	DIN 2353 ISO 8434-1
Scope of supply	Socket (without union nut and cutting ring) pre-assembled
Material	Steel
Surface	electro galvanised



Note

Information about fitting, installation, pressure loads and permissible operating temperatures can be found in the technical information for pipe fittings.

Item

Identification	Series	Operating pressure	Ø d2 (mm)	M	L2 (mm)	L5 (mm)	L7 (mm)	AF (mm)	S1
XVEW NW 04 HL	L	PN 315	6	M 12 x 1.5	12,0	26,0	19	12	14
XVEW NW 06 HL	L	PN 315	8	M 14 x 1.5	14,0	27,5	21	12	17
XVEW NW 08 HL	L	PN 315	10	M 16 x 1.5	15,0	29,0	22	14	19
XVEW NW 10 HL	L	PN 315	12	M 18 x 1.5	17,0	29,5	24	17	22
XVEW NW 13 HL	L	PN 315	15	M 22 x 1.5	21,0	32,5	28	19	27
XVEW NW 16 HL	L	PN 315	18	M 26 x 1.5	23,5	35,5	31	24	32
XVEW NW 20 HL	L	PN 160	22	M 30 x 2	27,5	38,5	35	27	36
XVEW NW 25 HL	L	PN 160	28	M 36 x 2	30,5	41,5	38	36	41
XVEW NW 32 HL	L	PN 160	35	M 45 x 2	34,5	51,0	45	41	50
XVEW NW 40 HL	L	PN 160	42	M 52 x 2	40,0	56,0	51	50	60
XVEW NW 03 HS	S	PN 630	6	M 14 x 1.5	16,0	27,0	23	12	17
XVEW NW 04 HS	S	PN 630	8	M 16 x 1.5	17,0	27,5	24	14	19
XVEW NW 06 HS	S	PN 630	10	M 18 x 1.5	17,5	30,0	25	17	22
XVEW NW 08 HS	S	PN 630	12	M 20 x 1.5	21,5	31,0	29	17	24
XVEW NW 10 HS	S	PN 630	14	M 22 x 1.5	22,0	35,0	30	19	27
XVEW NW 13 HS	S	PN 400	16	M 24 x 1.5	24,5	36,5	33	24	30
XVEW NW 16 HS	S	PN 400	20	M 30 x 2	26,5	44,5	37	27	36
XVEW NW 20 HS	S	PN 400	25	M 36 x 2	30,0	50,0	42	36	46
XVEW NW 25 HS	S	PN 400	30	M 42 x 2	35,5	55,0	49	41	50
XVEW NW 32 HS	S	PN 315	38	M 52 x 2	41,0	63,0	57	50	60

Series: LL = Very light L = Light S = Heavy – PN = Nominal pressure PB = Max. operating pressure – Ø d2 = External pipe diameter

Product versions

XVEW VA	Fitting, angle 90°, Stainless steel
VEW	Fitting, angle 90°, Steel