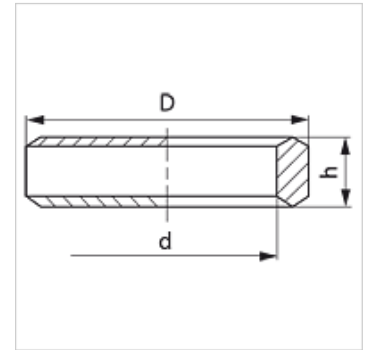


## Properties

<b>Design</b>	Edge sealing ring
<b>Construction type</b>	for metric threads
<b>Material</b>	Steel
<b>Surface</b>	electro galvanised



## Item

Identification	for thread	D (mm)	d (mm)	h (mm)
DKM 10	M 10 x 1	14	10	3,2
DKM 12	M 12 x 1.5	17	12	4,2
DKM 14	M 14 x 1.5	19	14	4,5
DKM 16	M 16 x 1.5	21	16	4,5
DKM 18	M 18 x 1.5	23	18	4,5
DKM 20	M 20 x 1.5	25	20	4,5
DKM 22	M 22 x 1.5	27	22	4,5
DKM 26	M 26 x 1.5	31	26	4,5
DKM 27	M 27 x 2	32	27	5,0
DKM 33	M 33 x 2	39	33	6,0
DKM 42	M 42 x 2	49	42	6,5
DKM 48	M 48 x 2	55	48	6,5

## Product versions

DKM VA	Edge sealing ring for metric threads, Stainless steel
--------	---