

DKM VA

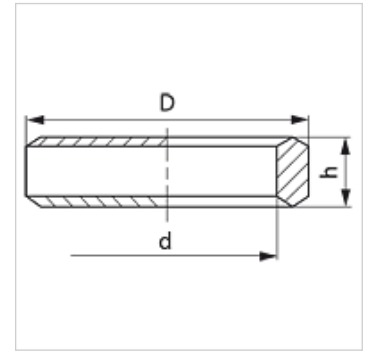
Edge sealing ring for metric threads

Properties

Design Edge sealing ring

Construction type for metric threads

Material Stainless steel



Item

Identification	for thread	D (mm)	d (mm)	h (mm)
DKM 10 VA	M 10 x 1	14	10	4,0
DKM 12 VA	M 12 x 1.5	17	12	5,0
DKM 14 VA	M 14 x 1.5	19	14	5,0
DKM 16 VA	M 16 x 1.5	21	16	5,0
DKM 18 VA	M 18 x 1.5	23	18	5,0
DKM 20 VA	M 20 x 1.5	25	20	5,0
DKM 22 VA	M 22 x 1.5	27	22	5,0
DKM 26 VA	M 26 x 1.5	31	26	5,0
DKM 27 VA	M 27 x 2	32	27	5,5
DKM 33 VA	M 33 x 2	39	33	7,0
DKM 42 VA	M 42 x 2	49	42	7,0
DKM 48 VA	M 48 x 2	55	48	7,0

Product versions

DKM Edge sealing ring, Steel

DKM VA Edge sealing ring for metric threads, Stainless steel