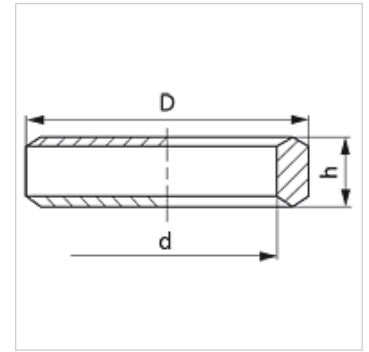


Properties

Design	Edge sealing ring
Construction type	for imperial threads
Material	Steel
Surface	electro galvanised



Item

Identification	for thread	D (mm)	d (mm)	h (mm)
DKR 1/8	G 1/8"	14	9,80	3,2
DKR 1/4	G 1/4"	18	13,30	4,5
DKR 3/8	G 3/8"	22	16,80	4,5
DKR 1/2	G 1/2"	26	21,10	5,0
DKR 3/4	G 3/4"	32	26,60	5,0
DKR 1	G 1"	39	33,40	6,0

Product versions

DKR VA	Edge sealing ring for imperial threads, Stainless steel
--------	---