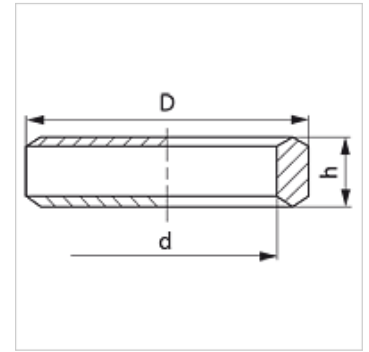


DKR VA

Edge sealing ring for imperial threads

Properties

Design	Edge sealing ring
Construction type	for imperial threads
Material	Stainless steel



Item

Identification	for thread	D (mm)	d (mm)	h (mm)
DKR 1/8 VA	G 1/8"	14	9,80	3,2
DKR 1/4 VA	G 1/4"	18	13,20	5,0
DKR 3/8 VA	G 3/8"	22	16,80	5,0
DKR 1/2 VA	G 1/2"	26	21,00	5,5
DKR 3/4 VA	G 3/4"	32	26,50	5,5
DKR 1 VA	G 1"	39	33,30	7,0
DKR 1 1/4 VA	G 1.1/4"	42	49,00	6,5
DKR 1 1/2 VA	G 1.1/2"	55	48,10	6,5

Product versions

DKR	Edge sealing ring, Steel
-----	--------------------------