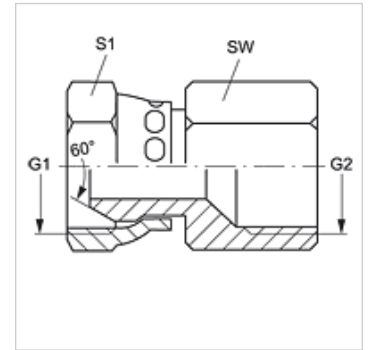


G AB IR

Screw-on connector

Properties

Connection 1	BSP nut thread
Sealing form 1	60° outer cone
Connection 2	BSP cylindrical internal threads
Sealing form 2	Flat seal
Design	Screw-on connector
Construction	straight
Material	Steel
Surface	electro galvanised



Item

Identification	G1 + G2	AF (mm)	S1
G AB 02 IR	G 1/8" -28	14	14
G AB 04 IR	G 1/4" -19	17	19
G AB 06 IR	G 3/8" -19	22	22
G AB 08 IR	G 1/2" -14	27	27
G AB 12 IR	G 3/4" -14	32	32
G AB 16 IR	G 1" -11	43	41
G AB 20 IR	G 1.1/4" -11	50	50
G AB 24 IR	G 1.1/2" -11	60	60

SW, S1, S2 = With across flats